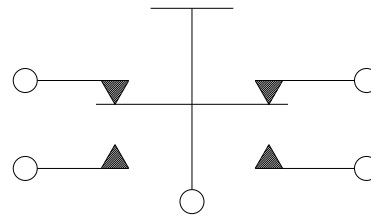


CHARACTERISTICS PER MIL-S-8805/110

P7-500052

RATINGS AT 28 VDC		
LOAD		
RESISTIVE	5 AMPS.	5 AMPS.
INDUCTIVE	3 AMPS.	3 AMPS.
MOTOR	3 AMPS.	—
LAMP	1 AMP.	—
DWV	1050 VRMS	

LET	OCN #	DATE	APR
A	954867	11 DEC 95	RE
B	955229	29 DEC 95	RE
C	970509	06 FEB 97	RE



SPDT 5 TERMINAL SCHEMATIC

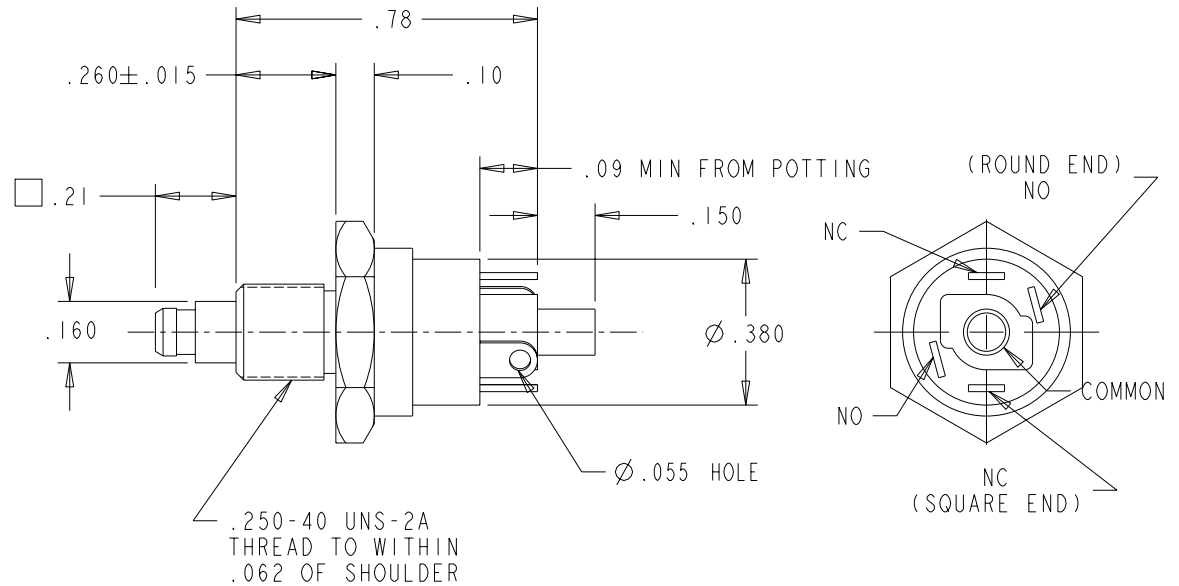
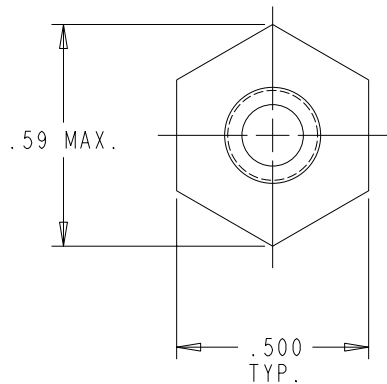
ELECTRICAL LIFE: 25,000 CYCLES

MECHANICAL:

TOTAL TRAVEL: .080 MAX.
 OVER TRAVEL: .010 MIN.
 OPERATING FORCE: 1.7±.5 LBS.
 MECHANICAL LIFE: 1,000,000 CYCLES

PHYSICAL:

TEMPERATURE RANGE: -55°C TO +85°C
 ENCLOSURE DESIGN: DUSTTIGHT & MOISTUREPROOF
 CASE: ANODIZED ALUMINUM ALLOY BLACK
 BUTTON: NYLON BLACK



MARK: OTTO, 21649
 P7-500052,
 & DATE CODE

NOTE:

MOUNTING HARDWARE:
 HEX NUT, WASHER & BUTTON (DO NOT
 ATTACH BUTTON TO SWITCH)

OTTO CONTROLS
 DIVISION OF
 OTTO ENGINEERING INC.
 CARPENTERSVILLE, ILLINOIS USA

PART NAME
 SWITCH,
 MINI SNAP-ACTION

UNLESS OTHERWISE SPECIFIED:
 DIMENSIONS ARE IN INCHES.
 TOLERANCES ARE AS LISTED.
 MUST BE FREE FROM BURRS
 AND SHARP EDGES.

TOLERANCES
.XX ±.03
.XXX ±.010
ANGLES ±2°
DO NOT SCALE DRAWING.
THIRD ANGLE PROJECTION

THIS DOCUMENT IS THE CONFIDENTIAL
 PROPERTY OF OTTO ENGINEERING, INC..
 IT IS PROVIDED ON A RESTRICTED
 BASIS AND IS NOT TO BE USED IN ANY
 WAY DETRIMENTAL TO THE INTERESTS
 OF OTTO ENGINEERING, INC..

DRWN.	CHKD.	APPD.	SIZE	FSCM NO	DRAWING NO.	REV.
JHK	RE	RG	A	21649	P7-500052	C
DATE 11 DEC 95			WT.	SCALE 2:1	SHEET 1 OF 1	