

REVERIE

LIGHTER | FASTER | STRONGER

UNIVERSAL PARTS BROCHURE

ENGINE

REVERIE

LIGHTER | FASTER | STRONGER

ABOUT US

Established in 2000 in Colchester, Essex, UK by former Lotus engineer Simon Farren, Reverie started by designing and producing niche track day and aftermarket Carbon Fibre performance parts, primarily for Lotus models. Growing quickly, in 2001 Reverie started offering composite engineering and manufacturing services to small car manufacturers, motorsport manufacturing companies and race teams. Caterham Cars commissioned Reverie to design, manufacture and supply a complete induction silencer system for their R500 with K-Series engine. Between 2003 and 2005, Reverie was proudly involved in winning a large motorsport composite project for Foggy PETRONAS Racing, involving the manufacture of 150 full panel sets for the FP1 homologation special motorbike. All delivery times and quality targets were met for both the OEM manufacturing company and the FP1 race team. After gaining ISO9001 certification in 2014, Reverie was selected to manufacture Carbon Fibre OEM key fobs for McLaren (MP4/12 P1) to very high clear coated paint specifications. This large contract involved manufacturing over 24,000 units. #



MD, Simon J. Farren

WHY CHOOSE REVERIE?

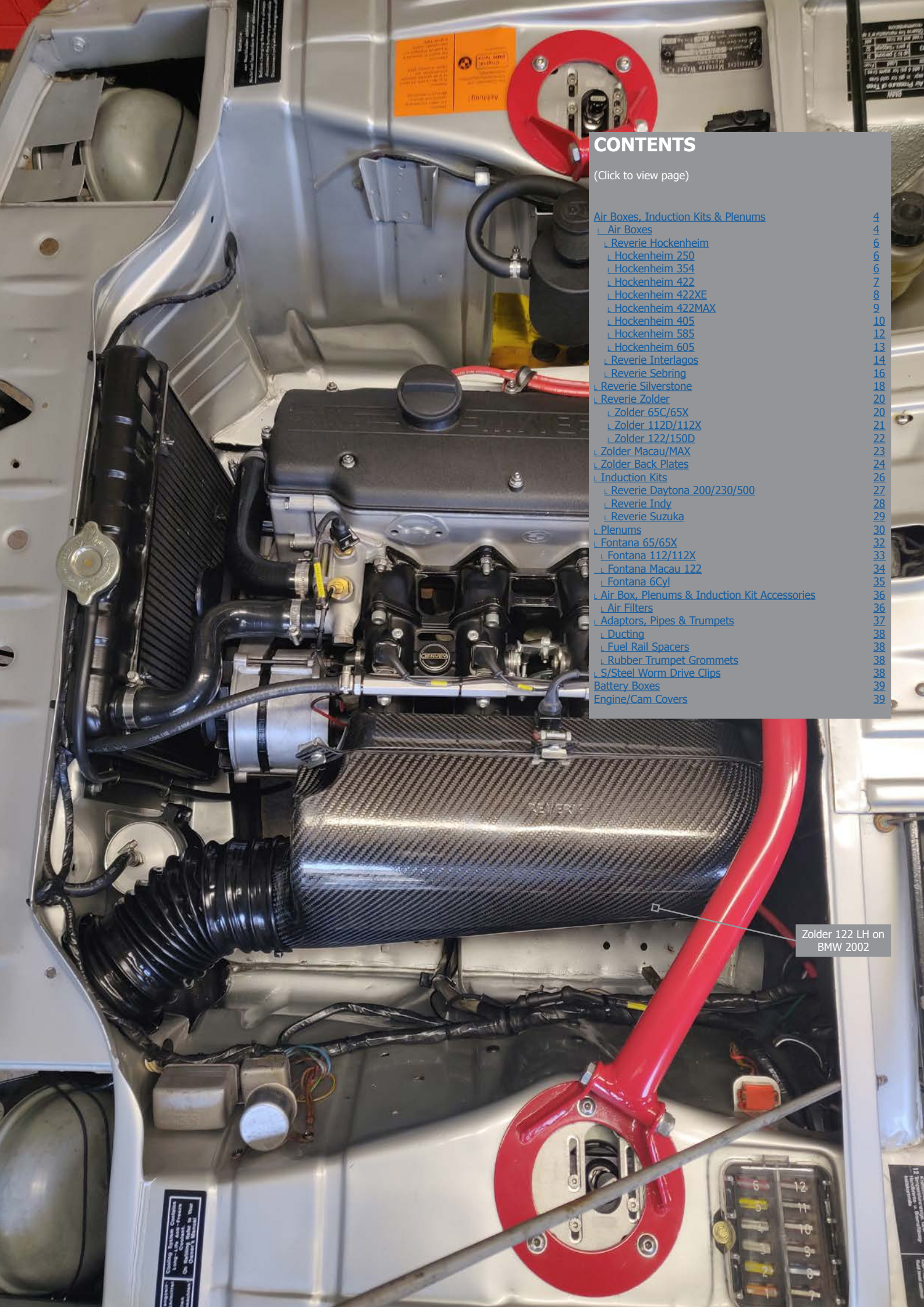
An established world-wide market leader with passionate, professional and highly skilled staff who offer composites design, manufacturing and repair skills. A technical sales team with real practical knowledge of road/race and track applications and fitments of our Product ranges be it aerodynamics or powertrain enhancing to help you select the best solution and support you to fit our products. We have a one-stop shop - Composite cutting, laminating, curing, CNC machining, painting, polishing and inspection. We proudly supply LMP1/WRC Motorsport teams and manufacturers, not F1 including for example Cosworth Electronics, Gibson Technology, Lazer lamps, M-Sport. Because we do not supply F1 means we are not seasonal and will therefore not increase or inflate our prices or hold up your Reverie parts order. With full ISO 9001 quality status, as a customer you can be assured of the very best customer service, continuing service and product improvements and highest quality products and services, we need, like, internally monitor / report and respect your valued feedback.

[View terms and conditions.](#)

WHY THE AUTOCLAVED PROCESS?

We predominantly use pre-impregnated epoxy thermoset composite materials to ensure that high fibre contents can be achieved consistently. We also CNC cut, then meticulously hand lay, vacuum bag and autoclave all the layers to further ensure low void contents and trapped volatiles to maximise interlaminar shear properties by forcing the various layers in the fibre/resin matrix together. This process as used widely in F1 results in high quality lightweight, cosmetic grade parts achievable time and time again, with low void content and surface pin-holing.





CONTENTS

(Click to view page)

Air Boxes, Induction Kits & Plenums	4
Air Boxes	4
Reverie Hockenheim	6
Hockenheim 250	6
Hockenheim 354	6
Hockenheim 422	7
Hockenheim 422XE	8
Hockenheim 422MAX	9
Hockenheim 405	10
Hockenheim 585	12
Hockenheim 605	13
Reverie Interlagos	14
Reverie Sebring	16
Reverie Silverstone	18
Reverie Zolder	20
Zolder 65C/65X	20
Zolder 112D/112X	21
Zolder 122/150D	22
Zolder Macau/MAX	23
Zolder Back Plates	24
Induction Kits	26
Reverie Daytona 200/230/500	27
Reverie Indy	28
Reverie Suzuka	29
Plenums	30
Fontana 65/65X	32
Fontana 112/112X	33
Fontana Macau 122	34
Fontana 6Cyl	35
Air Box, Plenums & Induction Kit Accessories	36
Air Filters	36
Adaptors, Pipes & Trumpets	37
Ducting	38
Fuel Rail Spacers	38
Rubber Trumpet Grommets	38
S/Steel Worm Drive Clips	38
Battery Boxes	39
Engine/Cam Covers	39

Zolder 122 LH on
BMW 2002

- >> AIR BOX SIZE GUIDE
- >> AIR BOX SELECTION GUIDE
- >> TECHNICAL DRAWINGS

AIR BOXES

We produce a range of universal fitment induction and air box parts to reduce drive by noise levels, typically by 6.5 dbA to 13.5 dbA, (now so important at many circuit venues) on tuned engines with multiple throttle bodies and further more allow filtered cold ram air.

We offer a range of filter solutions, air intakes and air inlet pipes to give a total one-stop solution. We were proudly selected as OEM suppliers to Caterham for the original K-series carbon fibre R500 induction silencer system.

As a general rule of thumb, try and package the largest air box volume you can - bigger air box volumes and inlet diameters are better so that the engine is under atmospheric conditions, and tuned lengths are then just controlled by the inlet runner lengths and diameters. If you want to use a single throttle body on the air box for normally aspirated or forced induction engines, then use our Fontana plenums rather than an air box ([see page 30](#)).

Think carefully about the position of your fuel rail (on fuel injection systems), if it overhangs the trumpet mounting face, you will need a fuel rail spacer type back plate ([page 38](#)) or use our air box trumpet grommets ([page 38](#)) and make brackets to have the air box sit and seal around the trumpets instead. Ideally, you should have 40mm or more clearance inside the air box or internal filter to the trumpets, absolute minimum is 25mm.

The Hockenheim range can be custom trimmed to different depths. The Silverstone and Zolder ranges are in moulded depths only.

Consider the type of air filter you want, if you want a filter inside the air box then consider a Silverstone or Zolder 112/150 (so long as you have 78mm - 150mm of depth from the mounting face), or use any of our air boxes with remote filters or remote filter boxes (i.e Daytona/Indy/Suzuka) or for lower horsepower outputs internal foam trumpet socks singles or pairs.

AIR BOX RANGE:

	<p>HOCKENHIEM</p> <p>The Hockenheim range comprises of 8 different models that can cover a wide range of vehicles from 4 cylinder engines upto V12 engines. The Hockenheim range is available in either Carbon Fibre or GRP.</p> <p>(pages 6 to 13)</p>
	<p>INTERLAGOS</p> <p>An adaptable air box suitable for 4 cylinder engines. The Interlagos can accommodate a range of different inlet options</p> <p>(page 14)</p>
	<p>SEBRING</p> <p>The Sebring air box is available in four different heights and is suitable for 4-cylinder engines</p> <p>(page 16)</p>
	<p>SILVERSTONE</p> <p>The Silverstone air box comes in two versions; the 78 and 102 and are suitable for 4-cylinder engines</p> <p>(page 18)</p>
	<p>ZOLDER</p> <p>Eight different versions suitable for 4 or 6-cylinder engines. Most of the Zolder range is available in either Carbon Fibre or GRP to fit Pipercross PX600 or ITG JC50/ JC100 backplate</p> <p>(page 20 to 24)</p>





AIR BOX TECHNICAL INFORMATION

AIR INLET SIZING

An inlet that is too small will cause a pressure drop inside the air box restricting performance. The inlet sizing guide (below) shows the minimum recommended inlet and ducting size for a power output category. The larger the power output of an engine the more air it will require to run at peak efficiency, therefore a larger inlet pipe/duct is needed as power increases. Multiple smaller inlet pipes/ducts can be used to achieve the same open area as a larger inlet, for example, if a larger inlet pipe/duct won't fit on the air box, or through the chassis, multiple smaller pipes for difficult packaging can be used. Reverie used for example 4 off 58mm tubes for 230 BHP on the original factory Caterham R500 air box system (images right).

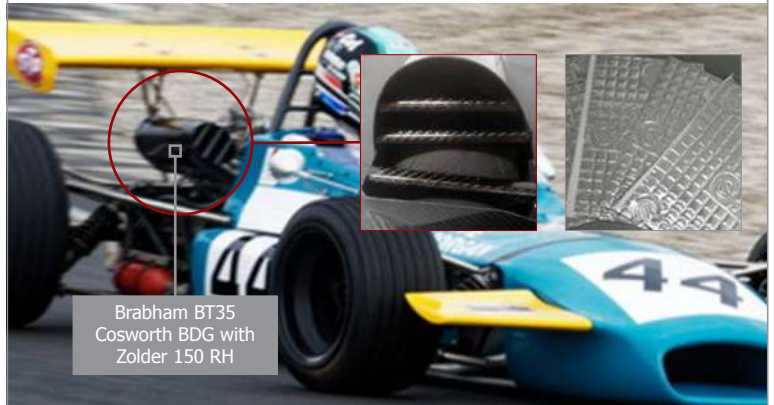
Noise reduction is increased when using multiple smaller intakes and our Porous sound absorbing ducting. Multiple smaller size inlets can additionally allow for some bottom end torque tuning or oval inlet pipes could be used to create a comparable open area. High flow alloy straight trumpets can also be used as intakes.



R500 air box

ADDITIONAL NOISE REDUCTION OPTIONS

The image below shows a Zolder 150 with a modified intake with 3 x Carbon Fibre Aero teardrop tube vertical flow dividers added to help break up the sound waves. Also adding inside the air box some easily available 2mm thick foil faced Bitumen sound pads can also help make a big difference (image box, right);

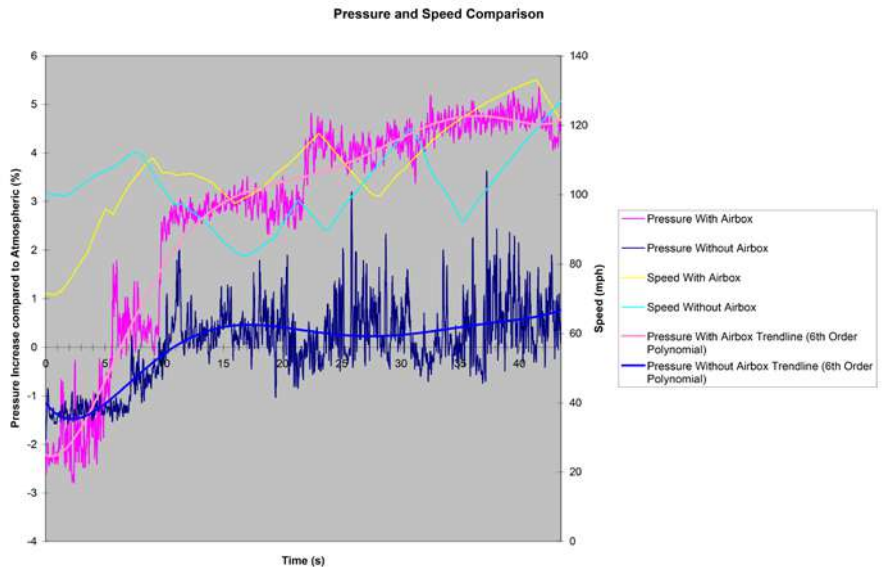


Brabham BT35
Cosworth BDG with
Zolder 150 RH

BHP RANGE	OPEN AREA (cm ²)	INLET DIA. (mm)
Upto 150	44.2	75.0
150 to 205	56.8	85.0
205 to 265	78.6	100.0
265 to 325	127.7	127.5
Over 325	181.5	152.0

422XE JPE CATERHAM 7 INTAKE TEMPERATURE GRAPH

Measurement of intake temperature and air box pressure verses speed and back to back acceleration comparison plot.



AIRFLOW FORMULA

The formula below shows the formula for required airflow to the engine in cubic feet per minute;

$$CFM = \text{Engine Capacity (Cubic Inches)} / 3464 \times \text{Max. RPM} \text{ 1L} = 61.0237 \text{in}^3$$

For example a 5.7 litre engine requires 703CFM of air at 7000rpm: $347.84 \text{CI} / 3464 \times 7000 \text{RPM} = 703 \text{CFM}$

For supercharged engines; $CFM = (\text{CI} \times \text{RPM} / 3456) \times (\text{boost [psi]} / 14.7 + 1)$

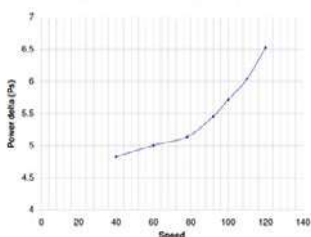
EEC CORRECTION FORMULA

To calculate potential power gains from cold ram air. Current engine performance correction standard: 80/1269/EEC. The reference ambient conditions are 24.85°C, 99 kPa (990 mbar). Power correction is $P_o = a \cdot P$ where a is the correction factor and P is measured power

Correction factor;

- $a = (99/p)^{1.2} \cdot (t/298)^{0.6}$
- p = dry atmospheric pressure (kPa) = total barometric pressure - water vapour pressure
- t = atmospheric temperature K

>> PRACTICAL EXAMPLE



Speed vs Power with temperature & Ram Effect Graph

FURTHER INFORMATION OR SELECTION HELP

Please e-mail sales@reverie.ltd.uk or contact us by phone if you have any technical questions on our air boxes or if you need some assistance in recommending the right air box solution please submit e-mail with details of your car, engine, power output and several good clear images of your engine in the car with clearance measurements drawn on images from the back plate mounting face to the chassis or bulkheads in vertical, and horizontal directions. We like a dimensioned plan view looking down from above image, and a dimensioned in-line view at Trumpet height looking towards rear of the engine from front, also if possible one looking directly into the trumpets.

>> COLD RAM AIR EEC CORRECTION POWER FORMULA

>> AIR BOX SIZE GUIDE

>> AIR BOX SELECTION GUIDE

>> TECHNICAL DRAWINGS

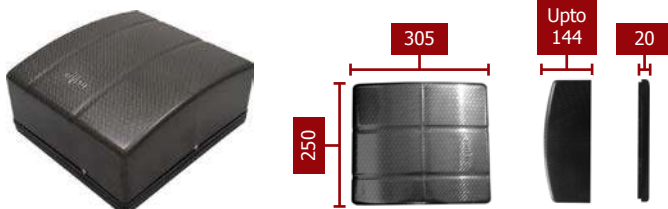
>> [CLICK TO VIEW AIR BOX SIZE GUIDE](#)

>> [CLICK TO VIEW TECHNICAL DRAWINGS](#)

HOCKENHEIM 250

> for 4-CYLINDER ENGINES

The Hockenheim 250 is available in either Carbon Fibre or GRP with either a standard or flat back plate. The Hockenheim 250 has been designed for use with flat 4 engines and its compact dimensions allow it to fit into tight engine bays. Air intake pipe selection on [page 38](#). Custom backplates drilled by customer.



(Note: the standard back plate is 20mm depth, flat backplate is 2mm)

SPECIFICATIONS

Dim.: (see above) (note: flat back plate 2mm)
Volume: 10.9L
Weight: 0.5KG
Material: Carbon Fibre or GRP
Fitment: Universal

HOCKENHEIM 354

> for 4-CYLINDER ENGINES

The Hockenheim 354 is available in either Carbon Fibre or GRP with either a standard or flat back plate. The Hockenheim 354 has been designed for use with small 4 cylinder engines with horizontal or vertical intakes. Air intake pipe selection on [page 38](#). Custom backplates drilled by customer.

The Hockenheim 354 is available with either a flat back plate (2mm thickness) or a regular back plate (20mm thickness, shown below)



The Hockenheim 354 can accommodate a range of different inlet options suitable for your application ([see page 37](#))



SPECIFICATIONS

Dim.: (see above)
Volume: 8.2L
Weight: 0.5KG
Material: Carbon Fibre or GRP
Fitment: Universal



*for back plate fuel rail spacers, lid inspection plates and trumpet grommets see from [page 36](#)

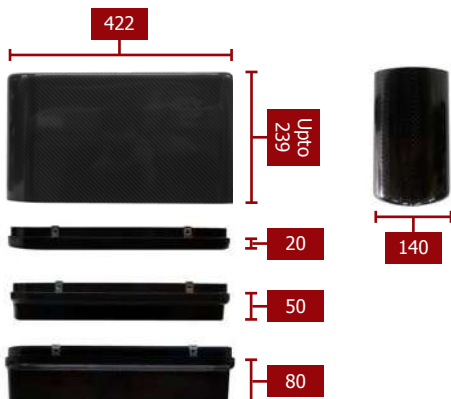
Part No.	HOCKENHEIM 250	£ (Ex. VAT)
R01SE0332	250 Carbon Air Box - Std Backplate	£334.95
R01SE0333	250F Carbon Air Box - Flat Backplate Kit	£334.95
R01SE0337	250G GRP Air Box - Std Backplate	£271.95
R01SE0338	250GF GRP Air Box Kit - Flat Backplate Kit	£271.95
	HOCKENHEIM 354	
R01SE0030	354 Carbon Air Box - Std Backplate	£397.95
R01SE0078	354F Carbon Air Box Kit - Flat Backplate	£397.95
R01SE0093	354G GRP Air Box - Std Backplate	£314.48
R01SE0102	354GF GRP Air Box - Flat Backplate	£314.48
	HOCKENHEIM 250/354 ACCESSORIES	
R01SE0381	4 Cylinder Air Box Top Inspection/ Access Plate Kit - Carbon	£60.89
R01SE0382	4 Cylinder Air Box Top Inspection/ Access Plate Kit - GRP	£48.29

>> [CLICK TO VIEW AIR BOX SIZE GUIDE](#)

>> [CLICK TO VIEW TECHNICAL DRAWINGS](#)

SPECIFICATIONS

Dim.: (see below)
Volume: 14.5L
Weight: 0.7KG
Material: Carbon Fibre or GRP
Fitment: Universal



(Note: the flat back plate is 2mm thick. The 422 air box lid has a maximum height of 239mm but can be trimmed down or angled as required.)



Hockenheim 422 on a normally aspirated Lotus Exige S2



Angled trimmed 422 on DAX Rush



HOCKENHEIM 422

> for 4-CYLINDER ENGINES

The Hockenheim 422 range is versatile enough to fit most four cylinder engines. The 422 can be trimmed to any depth and backplate drilled to fit any engine bay & engine combination. A selection of accessories are available, such as increased depth fuel rail spacers allow for clearance of fuel rails, which might extend over the trumpet fixing face. Specialised air inlets/intakes are available. The standard back plate is 20mm deep which gives a good air tight seal. The flat back plate option allows the main box to be trimmed at acute angles to fit, for example, in a front engine DAX Rush or Caterham where a tapering-in chassis rail would normally foul the air box. Air intake pipe selection on [page 37](#).

The 422 is available with either a flat or 20mm back plate. All 422 variants are available in lightweight Carbon or GRP construction

The 422 and 422XE can accommodate a range of different inlet and ducting options, see [page 37](#) for more. For back plate fuel rail spacers, lid inspection plates and trumpet grommets see [page 38](#).



The Hockenheim 422 is infinitely customisable and can be trimmed as required. For example the image above shows a 422 that has been angle trimmed to allow for fitment into a tight engine bay with 2 x 58mm inlets.

(Note; angle trimmed air boxes can only be ordered with flat back plates) **2**

Part No.	HOCKENHEIM 422	£ (Ex. Vat)
R01SE0077	422F Carbon Air Box - Flat Backplate Kit	£397.95
R01SE0033	422 Carbon Air Box - 20mm Backplate	£397.95
R01SE0719	422 Carbon Air Box - 50mm Backplate	£497.95
R01SE0720	422 Carbon Air Box - 80mm Backplate	£497.95
R01SE0099	422GF GRP Air Box - Flat Backplate	£314.48
R01SE0090	422G GRP Air Box - 20mm Backplate	£314.48
R01SE0721	422G GRP Air Box - 50mm Backplate	£414.48
R01SE0722	422G GRP Air Box - 80mm Backplate	£414.48
1 R01SE6173	ITG Air Filter (98mm Internal Height)	£136.45
R01SE6172	ITG Air Filter (160mm Internal Height)	£136.45

>> [CLICK TO VIEW AIR BOX SIZE GUIDE](#)

>> [CLICK TO VIEW TECHNICAL DRAWINGS](#)

HOCKENHEIM 422XE

> for CATERHAM/WESTFIELD TYPE APPLICATIONS

The Hockenheim 422XE is designed specifically to fit Vauxhall/Opel C20XE engines as found in the Caterham Seven with Vauxhall C20XE JPE and HPC engines. The 422XE utilises a standard 422 air box with a specially designed back plate that allows for a neat and compact air intake. Air intake options can either be 75mm or 100mm diameter moulded in from rear as shown (422XE75 & 422XE100 respectively). The 422XE variants are compatible with our range of trumpet socks or remote air filters. Backplates are easily custom drilled.

Part No.	HOCKENHEIM 422XE	£ (Ex. Vat)
R01SE0186	422XE100 Carbon Air Box 100mm Inlet	£439.95
R01SE0131	422XE75 Carbon Air Box 75mm Inlet	£418.95
R01SE0188	422XEG100 GRP Air Box 100mm Inlet	£366.98
R01SE0133	422XEG75 GRP Air Box 75mm Inlet	£356.48



SPECIFICATIONS

Dim.: (see below)
 Volume: 14.5L
 Weight: 0.7KG
 Material: Carbon Fibre or GRP
 Fitment: Universal



(Note: the 422XE air box lid has a maximum height of 239mm but can be trimmed down as required. Any customised trimming needs to be specified when ordering. Two different inlet diameters are available; 75 or 100mm).

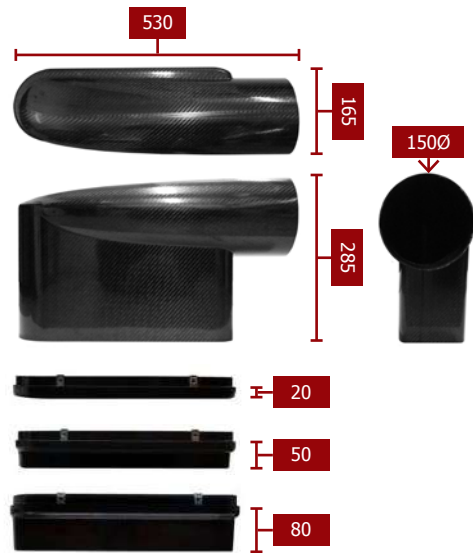


>> [CLICK TO VIEW AIR BOX SIZE GUIDE](#)

>> [CLICK TO VIEW TECHNICAL DRAWINGS](#)

SPECIFICATIONS

Dim.: (see below)
Volume: 16.8L
Weight: 0.7KG
Material: Carbon Fibre or GRP
Fitment: Universal



Comparison between standard Hockenheim 422 and Hockenheim 422MAX



HOCKENHEIM 422MAX

> for 4-CYLINDER ENGINES

The Hockenheim 422MAX has been developed from our regular 422 range and provides an increase in volume whilst keeping the same compact dimensions. This has been achieved by using designing in a large 152mm (6") flared inlet. The Hockenheim 422MAX also has the option of accepting either a flat, 20, 50 or 80mm fuel rail spacer back plate to further increase internal volume. The 422MAX utilises the same high performance ITG air filters as the regular 422, 152mm cone filter or alternatively (like the regular 422), the 422MAX can be used with external/remote air filters and ducted as required.

Although the 422MAX has similar compact dimensions to the regular 422, the flared 152mm inlet increases the volume of the 422MAX by approximately 2 litres.



The 422MAX features a large 152mm (6") inlet

Easy to adjust height and self-drill backplate

The 422MAX is available with either a flat or standard 20mm deep back plate or 50 or 80mm fuel rail spacer back plates to further increase volume.

Part No. HOCKENHEIM 422MAX

Part No.	Description	£ (Ex. Vat)
1 R01SE0705	422F MAX Carbon Air Box - Flat Back Plate Kit	£499.00
2 R01SE0707	422 MAX Carbon Air Box & Std. 20mm Back Plate Kit	£499.00
3 R01SE0711	422 MAX Carbon Air Box & 50mm Fuel Rail Spacer Back Plate Kit	£529.00
R01SE0713	422 MAX Carbon Air Box & 80mm Fuel Rail Spacer Back Plate Kit	£539.00
R01SE0712	422 MAX GRP Air Box & 50mm Fuel Rail Spacer Back Plate Kit	£439.00
R01SE0714	422 MAX GRP Air Box & 80mm Fuel Rail Spacer Back Plate Kit	£449.00
R01SE0708	422G MAX GRP Air Box Kit - Std. 20mm Back Plate	£419.00
R01SE0706	422GF MAX GRP Air Box - Flat Back Plate Kit	£419.00
4 R01SE6173	ITG Air Filter (98mm Internal Height)	£136.45
5 R01SE6172	ITG Air Filter (160mm Internal Height)	£136.45
6 R01SE6098	Cone Filter - 152mm (6") (for Filter Adaptors)	£55.64
R01SE6099	Cone Filter - 152mm (6") (for Plain Radius Entry)	£55.64

>> [CLICK TO VIEW AIR BOX SIZE GUIDE](#)

>> [CLICK TO VIEW TECHNICAL DRAWINGS](#)

HOCKENHEIM 405

> for V6 & V8 ENGINES

The Hockenheim 405 air box is suitable for V6 and V8 normally aspirated engines with throttle bodies. The Hockenheim 405 air box has been utilised in modified cars such as Honda NSX V6, Nissan 350Z, Renault Clio V6 and Pantera V8 to provide increased performance. The Hockenheim 405 is customisable in height and can be angle trimmed and is available with a range of different air intakes options and internal or external/remote air filters. As special order, we can make "V" angled base plates if required. Air box depth and backplate can be self-drilled/trimmed.



The 405 is available with either a flat or 20mm deep back plate

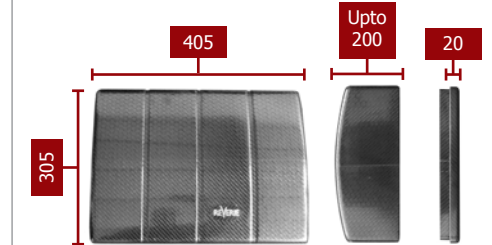
The 405 is available with a bespoke high performance air filter

The 405 can accommodate a range of different inlet and ducting options, see [page 37](#) for more

Streamlined top or side bolted 100mm diameter inlet cowl available separately ([see page 14](#))

SPECIFICATIONS

Dim.: (see below) (note; flat back plate 2mm)
Volume: 20.2L
Weight: 0.7KG
Material: Carbon Fibre or GRP
Fitment: Universal



Part No. HOCKENHEIM 405 AIR BOX & ACCESSORIES

Part No.	Description	£ (Ex. VAT)
1 R01SE0558	405 V6/V8 Carbon Air Box Base Box Kit (not inc. #9 or #11)	£492.45
R01SE0559	405 V6/V8 GRP Air Box Base Box Kit (not inc. #9 or #11)	£408.45
2 R01SE0480	405 Carbon Air Box - Quad Top Intake (Std Back Plate)	£1047.90
3 R01SE0139	405 Carbon Air Box - Std Backplate	£492.45
4 R01SE0453	405 Carbon Air Box Kit - Twin 100mm Side Intakes (Std Back Plate)	£870.45
5 R01SE0452	405 Carbon Air Box Kit - Twin Top 100mm Intakes (Std Back Plate)	£870.45
R01SE0140	405F Carbon Air Box - Flat Backplate	£492.45
R01SE0141	405G GRP Air Box - Std Backplate	£408.45
R01SE0142	405GF GRP Air Box - Flat Backplate	£408.45
6 R01SE0458	405 Carbon Internal Filter Tray Kit with Twin Filters	£208.95
7 R01SE6183	ITG Double Foam Air Filter (98mm Internal Height)	£208.95
8 R01SE6178	ITG Single Foam Air Filter (98mm Internal Height) (use as pair)	£167.99
9 R01SE0219	Air Intake Duct - 305mm x 120mm x (110 tapers to 70mm)	£129.00
R01SE0218	Air Intake Duct - 305mm x 120mm x (80 tapers to 40mm)	£129.00
10 R01SE0433	425X Carbon 100mm Side Inlet Filter Cowl Kit	£177.45
11 R01SE0305	Rectangular Air Intake Duct - 152mm Outlet, 280mm x 60mm, Carbon	£198.45
12 R01SE0421	Cotton Gauze Air Filter	£55.60
13 N/A	Air Inlet Pipes/Ducts - see page 37	



Can bond air inlet pipe on end and bond onto sides of air box for diffused intake

*for back plate fuel rail spacers, lid inspection plates and trumpet grommets see [page 37](#)



Quad-top 75mm oval cross-flow "425Z" intakes and top filters

Twin side "425X" 100mm cowl intakes and side air filters

Standard 405 Carbon air box with 2 x 100mm air inlets

Twin top "425X" 100mm cowl intakes and top air filters



Special order Hockenheim 405 with twin side 100mm inlets and 'V' angle base plate seen on Metro 6R4 V6

>> [CLICK TO VIEW AIR BOX SIZE GUIDE](#)

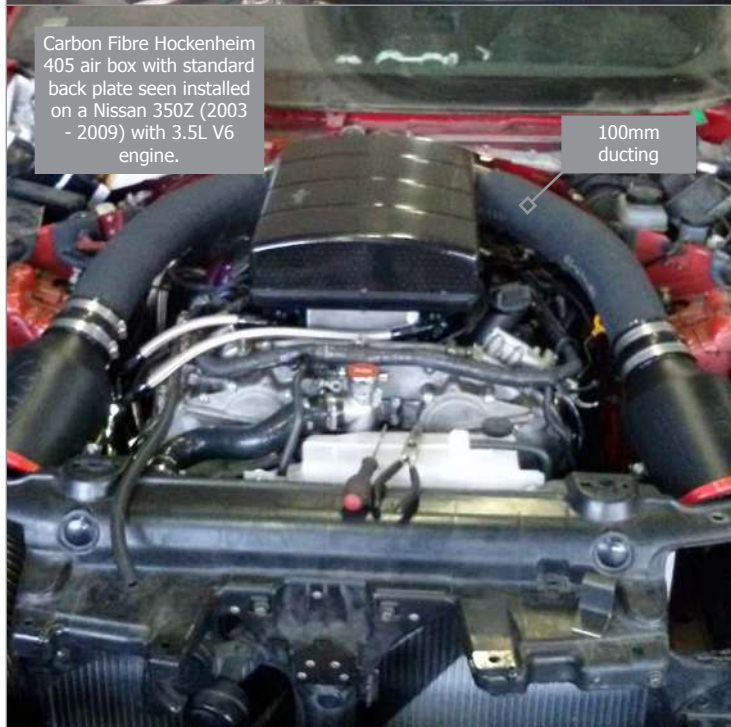
>> [CLICK TO VIEW TECHNICAL DRAWINGS](#)



Carbon Fibre Hockenheim 405 with standard back plate and ducting on a Honda NSX 3.0L V6 (1990 - 2005)



Trumpet grommets [page 36](#)



Carbon Fibre Hockenheim 405 air box with standard back plate seen installed on a Nissan 350Z (2003 - 2009) with 3.5L V6 engine.

100mm ducting



Trumpet socks [page 36](#)



Air filters [page 36](#)

>> [CLICK TO VIEW AIR BOX SIZE GUIDE](#)

>> [CLICK TO VIEW TECHNICAL DRAWINGS](#)

HOCKENHEIM 585

> for STRAIGHT 6 CYLINDER ENGINES

The Hockenheim 585 is designed for use with straight-six cylinder engines cars/engines. The Hockenheim 585 is customisable in height and can be angle trimmed and is available with a range of different air intakes options ([page 37](#)) and internal or external/remote air filters ([page 36](#)). Backplates can be easily drilled for your application.

Part No.	HOCKENHEIM 585	£ (Ex. VAT)
R01SE0118	585 Carbon Air Box - Std Backplate	£439.45
R01SE0121	585F Carbon Air Box - Flat Backplate	£439.45
R01SE0124	585G GRP Air Box - Std Backplate	£386.95
R01SE0127	585GF GRP Air Box - Flat Backplate	£386.95

The 585 is available in either Carbon or GRP

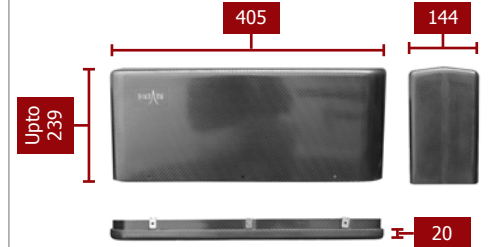
The 585 is available with either a flat or 20mm deep back plate. (Note; if the air box is to be angle trimmed, a flat back plate must be specified when ordering).

A range of inlet options are available, see [page 37](#).

*for back plate fuel rail spacers, lid inspection plates and trumpet grommets see from [page 37](#)

SPECIFICATIONS

Dim.: (see below) (note; flat back plate 2mm)
Volume: 21.8L
Weight: 0.9KG
Material: Carbon Fibre or GRP
Fitment: Universal



Hockenheim 585 on Triumph TR6

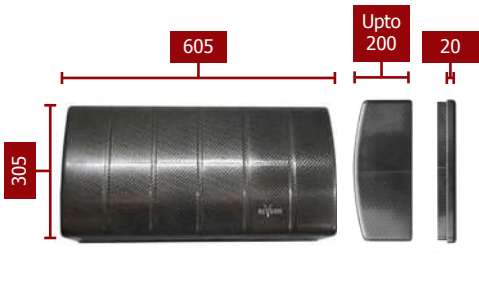
» AIR BOXES, INDUCTION KITS & PLENUMS > AIR BOXES > HOCKENHEIM 605

>> [CLICK TO VIEW AIR BOX SIZE GUIDE](#)

>> [CLICK TO VIEW TECHNICAL DRAWINGS](#)

SPECIFICATIONS

Dim.: (see below) (note; flat back plate 2mm)
Volume: 39.9L
Weight: 1.0KG
Material: Carbon Fibre or GRP
Fitment: Universal



HOCKENHEIM 605

> for V10 & V12 ENGINES

The Hockenheim 605 air box is suitable for V10 and V12 normally aspirated engines with throttle bodies and is customisable in height and inlet pipe size & placement with single or multiple entry points. The Hockenheim is compatible with our range of air filters, air inlet ducts and fuel rail spacers. The Hockenheim 605 is available in either Carbon or GRP.

Part No.	HOCKENHEIM 605	£ (Ex. VAT)
R01SE0143	605 Carbon Air Box - Std Backplate	£555.45
R01SE0144	605F Carbon Air Box - Flat Backplate	£555.45
R01SE0145	605G GRP Air Box - Std Backplate	£492.45
R01SE0146	605GF GRP Air Box - Flat Backplate	£492.45
1 R01SE0421	Cotton Gauze Air Filter	£55.60
2 R01SE0455	425Y Carbon 100mm Centre Inlet Cowl	£177.45
3 R01SE0433	425X Carbon 100mm Side Inlet Cowl	£177.45

The Hockenheim 605 is 200mm wider than the 405 increasing the volume to nearly 40L



The 605 is available in either Carbon Fibre or GRP

*for air filters, inlet ducts, back plate fuel rail spacers and lid inspection plates see from [page 36](#)

The 605 is available with either a flat or 20mm deep self-drilled back plate



>> [CLICK TO VIEW AIR BOX SIZE GUIDE](#)

>> [CLICK TO VIEW TECHNICAL DRAWINGS](#)

INTERLAGOS

> for 4-CYLINDER ENGINES

The Interlagos 4-cylinder air boxes can be self drilled or mounted on the base plate or 3 sides of the main box (35°, 71° or 90° sides). The Interlagos can also be used with various inlet types, the 3 filter cowl shown below add the possibility of a ram air feed using an internal panel filter. The Interlagos can also be used with our range of inlet pipes as either single or multiple entry ([see page 37](#)).



The Interlagos 425 is available in either Carbon Fibre or GRP



Panel filter base box surround tray can also be bonded as a pair into top of Hockenheim 405/605 air boxes to accept top mounted filters and 425X/Y/Z filter air feed inlet cowl



Interlagos 425Y with Jenvey throttle bodies

SPECIFICATIONS

Dim.: (see below) (note; flat back plate 2mm)
Volume: Upto 6.0L
Weight: 0.5KG
Material: Carbon Fibre or GRP
Fitment: Universal



See [our website](#) for full technical drawings of the Interlagos 425 and 425S



Interlagos 425X on YB engine Escort Cosworth



Interlagos 425 on BMC Sprite



» AIR BOXES, INDUCTION KITS & PLENUMS > AIR BOXES > INTERLAGOS

[>> CLICK TO VIEW AIR BOX SIZE GUIDE](#)
[>> CLICK TO VIEW TECHNICAL DRAWINGS](#)

INTERLAGOS

> for 4-CYLINDER ENGINES

Part No.	INTERLAGOS 425	£ (Ex. VAT)
1	R01SE0607 425 Carbon LH 100mm Inlet, Std Backplate	£461.95
2	R01SE0606 425 Carbon RH 100mm Inlet, Std Backplate	£461.95
3	R01SE0036 425 Carbon Std Backplate	£397.95
4	R01SE0074 425F Carbon Flat Backplate	£397.95
5	R01SE0609 425F Carbon LH 100mm Inlet, Flat Backplate	£461.95
6	R01SE0608 425F Carbon RH 100mm Inlet, Flat Backplate	£461.95
	R01SE0096 425G GRP Std Backplate	£314.48
	R01SE0105 425GF GRP Flat Backplate	£314.48
7	R01SE0432 425X Carbon 100mm Side Inlet Kit	£523.95
8	R01SE0454 425Y Carbon 100mm Centre Inlet Kit	£523.95
9	R01SE0473 425Z Carbon Kit Blank Intake Kit	£523.95
10	R01SE0730 425YX Carbon 127.5mm Oval Centre Inlet Kit	£589.00
11	R01SE0733 425YZ Carbon Twin 75mm Oval Inlet Kit	£629.50
12	R01SE6173 ITG Air Filter (int. height 98mm)	£129.95
13	R01SE0436 425 Panel Filter Base Box Surround Tray	£159.00
INTERLAGOS 425S		
14	R01SE0762 425S Carbon Std Backplate	£397.95
15	R01SE0763 425SF Carbon Flat Backplate	£397.95
16	R01SE0764 425SX Carbon 100mm Side Inlet Kit	£523.95
17	R01SE0765 425SY Carbon 100mm Centre Inlet Kit	£523.95
18	R01SE0766 425SZ Carbon Kit Blank Intake Kit	£523.95
19	R01SE0767 425SYX Carbon 127.5mm Oval Inlet Kit	£589.00
20	R01SE0768 425SYZ Carbon Twin 75mm Oval Inlet Kit	£629.50
INTERLAGOS 425C		
21	R01SE0779 425C Carbon 75mm Centre Oval Inlet	£462.35
22	R01SE0780 425C Carbon 75mm LH Inlet	£462.35
23	R01SE0781 425C Carbon 75mm RH Inlet	£462.35
INTERLAGOS COWLS ONLY		
24	R01SE0433 425X Carbon 100mm Side Inlet Filter Cowl Kit	£177.45
25	R01SE0455 425Y Carbon 100mm Centre Inlet Cowl	£177.45
26	R01SE0469 425Z Carbon Blank Filter Cowl	£177.45
27	R01SE0732 425YZ Carbon Twin 75mm Oval Cowl	£283.00
28	R01SE0731 425YX Carbon 127.5mm Oval Centre Cowl	£242.00

The Interlagos 425S is a shorter version of the standard 425 Carbon Fibre air box. Throttle bodies can be mounted to either of the flat faces of the air box allowing the 425S to accommodate a wide variety of engine bays. The 425S is available with a flat or 20mm depth back plate and also compatible with our range of Interlagos cowls.

The Interlagos 425C is a compact version of the standard 425 Carbon Fibre air box and smaller than the 425S range. Throttle bodies can be mounted to either of the flat faces of the air box allowing the 425C to accommodate a wide variety of engine bays. The 425C is available with either a round 75mm inlet mounted on the LH/RH side or a centre oval 75mm inlet.



>> [CLICK TO VIEW AIR BOX SIZE GUIDE](#)

>> [CLICK TO VIEW TECHNICAL DRAWINGS](#)

SEBRING

> for 4-CYLINDER ENGINES

The Sebring is a rectangular air box that is available in four different depths (54.5mm, 67mm, 78.5mm and 105mm). Internal volumes range from 5.5 - 10.5. The lid is clamped down tight by a single central bolt. The Sebring is designed to house a bespoke rectangular panel filter element and various air inlet pipes where needed (sold separately).

The Sebring accommodates rectangular air filters (sold separately)



The Sebring is available in 4 different depths allowing an internal volume range from approx. 5.3L to 10.1L

The Sebring can accommodate a range of optional inlets and accessories, see [page 37](#).



A special edition Sebring air box (Sebring T-Air Box R01SB0644) is available with tapered lid and box. This was designed specifically for the Morgan Plus 4 with the Ford derived 2.0L Duratec engine (2005 - 2020) however can be used for other applications.

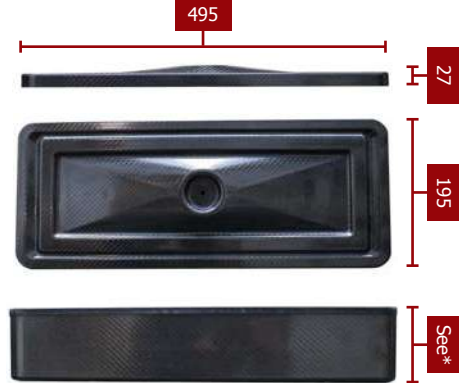
This air box is compatible with filter R01SE6090



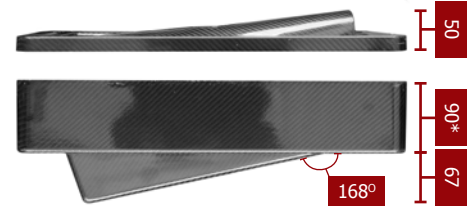
Fuel rail spacers for the Sebring are available in depths of 20, 40 or 60mm

SPECIFICATIONS

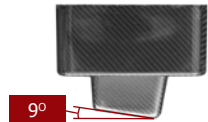
Dim.: (see below)
Volume: 5.3L to 10.1L
Weight: 1.0KG
Material: Carbon Fibre or GRP
Fitment: Universal



*Available in four different depths; 54.5mm, 67mm, 78.5mm and 105mm to suit air filters



*Depth up to 90mm, to specify when ordering. Base can be trimmed down so that the assembly can be used as an open filter sandwich (see photograph below, right) rather than an enclosed box



Part No.	SEBRING	£ (Ex. VAT)
1 R01SE0308	4-54.5 Carbon Air Box Kit	£418.95
R01SE0314	4-54.5 GRP Air Box Kit	£345.45
R01SE0309	4-67 Carbon Air Box Kit	£418.95
R01SE0315	4-67 GRP Air Box Kit	£345.45
R01SE0310	4-78.5 Carbon Air Box Kit	£418.95
R01SE0316	4-78.5 GRP Air Box Kit	£345.45
R01SE0311	4-105 Carbon Air Box Kit	£418.95
R01SE0317	4-105 GRP Air Box Kit	£345.45
2 R01SE0644	Sebring T-Air Box	£399.95
3 R01SE6088	Air Filter for Sebring 54.5	£52.49
R01SE6089	Air Filter for Sebring 67	£52.49
R01SE6090	Air Filter for Sebring 78.5	£52.49
R01SE6091	Air Filter for Sebring 105	£52.49
4 R01SE0398	Fuel Rail Spacer D20mm	£93.45
R01SE0399	Fuel Rail Spacer D40mm	£93.45
R01SE0424	Fuel Rail Spacer D60mm	£93.45

NOTE: Air box kits do not contain air filters which are sold separately



Trimmed Sebring air box base to make an open filter lid & base, seen fitted to a Morgan Plus 4 with the Ford derived 2.0L Duratec engine

» AIR BOXES, INDUCTION KITS & PLENUMS > AIR BOXES > SILVERSTONE

>> [CLICK TO VIEW AIR BOX SIZE GUIDE](#)

>> [CLICK TO VIEW TECHNICAL DRAWINGS](#)

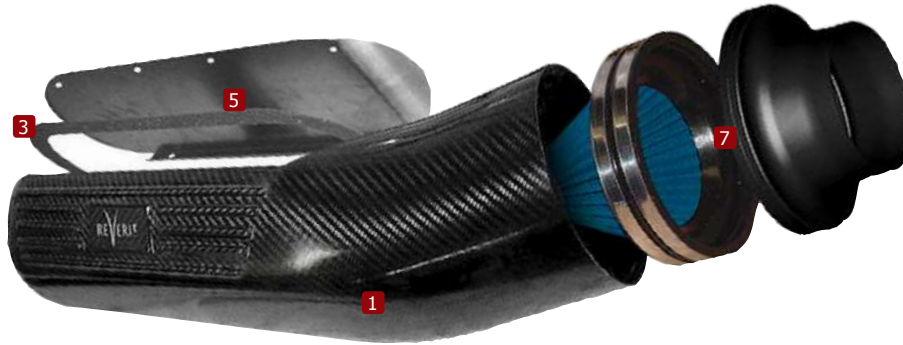
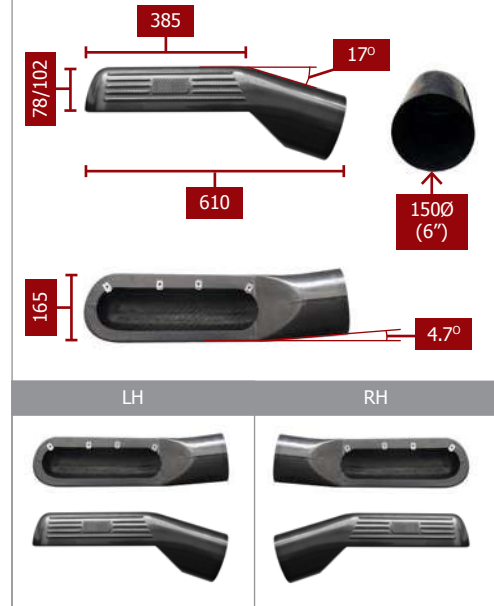
SILVERSTONE

> for 4-CYLINDER ENGINES

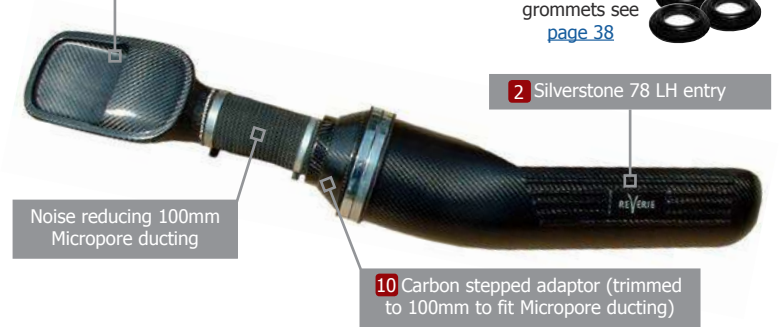
The Silverstone 78 & 102 air boxes are designed for 4 cylinder engines and can accommodate a 6" (152mm) cone air filter in the end of the air box. Filter adapters are available to reduce the air inlet diameter to either 127.5mm, 100mm, 85mm, 75mm, 70mm or 58mm. Specialised adapters with multiple smaller inlet diameters can be further used to reduce induction noise or route enough air through a difficult chassis. The Silverstone 78 & 102 can be specified with either a Carbon Fibre or Alloy back plate and can also be specified with 20mm deep fuel rail spacers. The Silverstone 78 is 78mm deep while the 102 is 102mm deep and both are available in LH or RH versions to suit different engine bays. The RH 102 is a popular choice for the Caterham R400/R500.

SPECIFICATIONS

Dim.: (see below)
Volume: 7.6L (78), 8.4L (102)
Weight: 0.7KG
Material: Carbon Fibre or GRP
Fitment: Universal



Mondello Carbon Intake Scoop



*for trumpet grommets see [page 38](#)

Part No.	SILVERSTONE	£ (Ex. VAT)
1	R01SE0015 78 Carbon - LH Entry	£334.95
2	R01SE0014 78 Carbon - RH Entry	£334.95
	R01SE0088 78G GRP - LH Entry	£299.00
	R01SE0089 78G GRP - RH Entry	£299.00
	R01SE0001 102 Carbon - LH Entry	£334.95
	R01SE0013 102 Carbon - RH Entry	£334.95
	R01SE0086 102G GRP - LH Entry	£299.00
	R01SE0087 102G GRP - RH Entry	£299.00

SILVERSTONE 78 & 102 ACCESSORIES

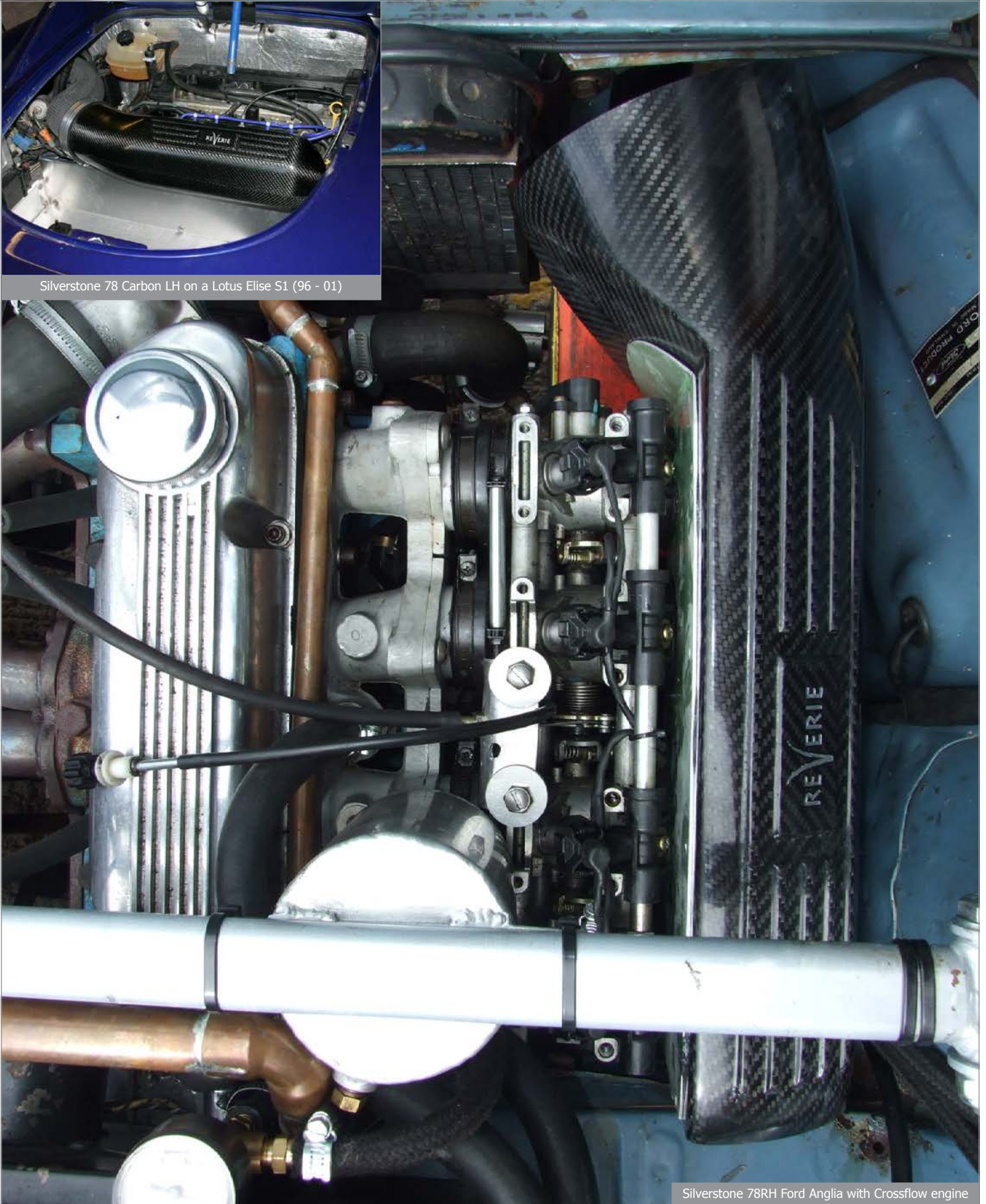
3	C01SE0005 Air Box Backplate Gasket Self Adhesive	£9.44
4	R01SE0396 20mm Fuel Rail Backplate LH	£104.95
	R01SE0397 20mm Fuel Rail Backplate RH	£104.95
5	R01SE0171 LH Alloy Air Box Back Plate Fitting Kit	£49.99
	R01SE0379 LH Carbon Air Box Back Plate Fitting Kit	£93.45
	R01SE0172 RH Alloy Air Box Back Plate Fitting Kit	£49.99
	R01SE0380 RH Carbon Air Box Backplate Fitting Kit	£93.45
6	C01SD0002 Caterham RH Backplate kit R4/500 Rollerbarrels	£36.74
7	R01SE6098 Air Filter (for Filter Adaptors)	£55.64
8	R01SE6099 Air Filter (for Plain Radius Entry)	£55.64
	R01SE6093 152 to 70mm Outlet, Alloy	£62.99
	R01SE6082 152 to 75mm Outlet, Alloy	£62.99
	R01SE6150 152 to 85mm Outlet, Alloy	£62.99
9	R01SE6084 152 to 100mm Outlet, Alloy	£62.99
	R01SE6145 152 to 127.5mm Outlet, Alloy	£63.99
10	R01SE6026 152 to 58/75/100mm Stepped, Alloy	£62.99
	R01SE6033 152 to 75/100mm Stepped, Alloy	£62.99
	R01SE6034 152 to 100mm Stepped, Alloy	£62.99
11	R01SE0175 152 to 58/75/100mm Stepped Carbon Flat	£124.95
12	R01SE0136 152 to 58/75/100mm Stepped Carbon Taper	£124.95
13	R01SE0222 Silverstone Diffuser Cone 2 x 58mm Ducts	£167.99
14	R01SE0007 Silverstone Diffuser Cone 3 x 58mm Ducts	£167.99
15	R01SE0224 Silverstone Diffuser Duct 1 x 58/75mm Ducts	£167.99
16	R01SE0303 152mm 45deg Inlet 100mm Outlet	£135.45



[»> CLICK TO VIEW AIR BOX SIZE GUIDE](#)
[»> CLICK TO VIEW TECHNICAL DRAWINGS](#)



Silverstone 78 Carbon LH on a Lotus Elise S1 (96 - 01)



Silverstone 78RH Ford Anglia with Crossflow engine

» AIR BOXES, INDUCTION KITS & PLENUMS > AIR BOXES > ZOLDER 65C/65X

>> [CLICK TO VIEW AIR BOX SIZE GUIDE](#)

>> [CLICK TO VIEW TECHNICAL DRAWINGS](#)

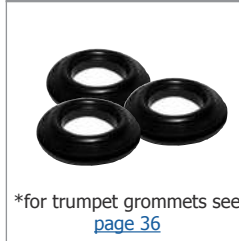
ZOLDER 65C/65X

> for 4-CYLINDER ENGINES

The Zolder 65 is available in either GRP or Carbon and is designed for normally aspirated 4 cylinder engines. The 65C features a tapered 100mm inlet while the 65X features a straight 100mm inlet with a nice even diffused flow. The 65C is available with either PX600 or JC50 (1/4 turn fasteners) backplate fitments. The 65X uses a unique 18-hole bolt-on range of back plates with bespoke rubber gasket. Backplates are easily self-drilled.



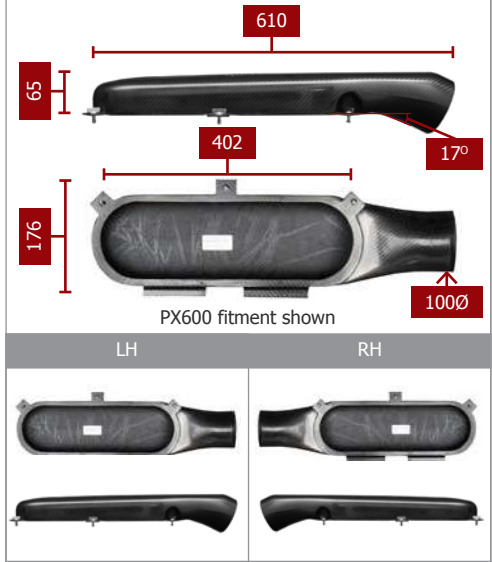
The Zolder 65C features quick-release backplate fasteners. The 65X is for Reverie 18 hole back plates only (see [page 24](#) for Zolder back plates)



Part No.	ZOLDER 65C	£ (Ex. VAT)
R01SE0512	Carbon - LH 100mm JC50	£344.95
R01SE0434	Carbon - LH 100mm PX600	£324.95
R01SE0510	Carbon - RH 100mm JC50	£344.95
R01SE0425	Carbon - RH 100mm PX600	£324.95
R01SE0513	GRP - LH 100mm JC50	£302.45
R01SE0445	GRP - LH 100mm PX600	£282.45
1 R01SE0511	GRP - RH 100mm JC50	£302.45
R01SE0443	GRP - RH 100mm PX600	£282.45
R01SE6161	Foam Gasket Only 65C	£9.44
ZOLDER 65X		
2 R01SE0482	Carbon - LH	£345.45
R01SE0535	Carbon - RH	£345.45
R01SE0486	GRP - LH	£282.45
R01SE0539	GRP - RH	£282.45

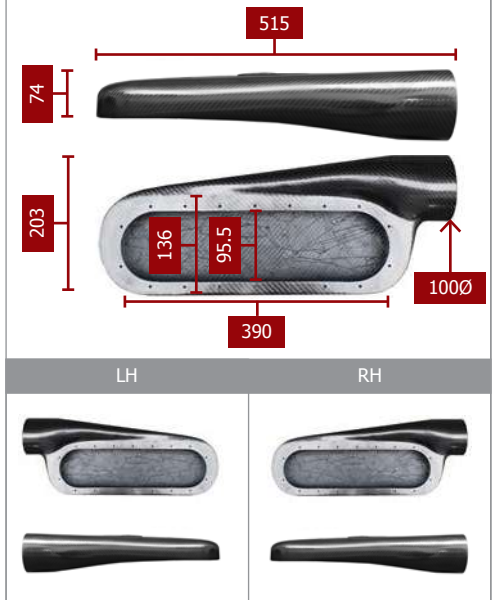
SPECIFICATIONS (65C)

Dim.: (see below)
 Volume: 4.2L
 Weight: 0.7KG
 Material: Carbon Fibre or GRP
 Fitment: Universal



SPECIFICATIONS (65X)

Dim.: (see below)
 Volume: 4.1L
 Weight: 0.7KG
 Material: Carbon Fibre or GRP
 Fitment: Universal





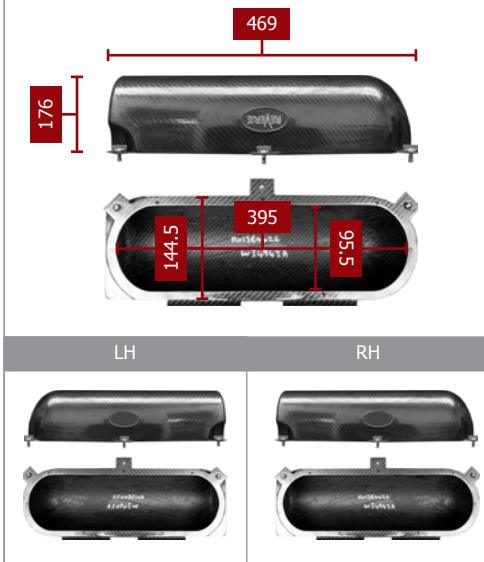
» AIR BOXES, INDUCTION KITS & PLENUMS > AIR BOXES > ZOLDER 112D/112X

>> [CLICK TO VIEW AIR BOX SIZE GUIDE](#)

>> [CLICK TO VIEW TECHNICAL DRAWINGS](#)

SPECIFICATIONS (112D)

Dim.: (see below)
Volume: 5.7L
Weight: 0.7KG
Material: Carbon Fibre or GRP
Fitment: Universal



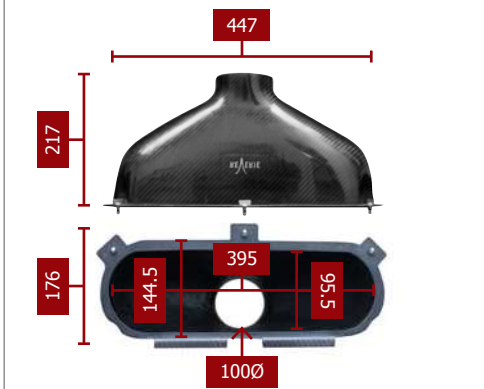
ZOLDER 112D/112X > for 4-CYLINDER ENGINES

The Zolder 112D is available in either GRP or Carbon and can be specified blank or with a 100mm inlet. The 112D and 112X is available with fixings for either a PX600 or JC50 backplate. The 112X features a straight central 100mm inlet. Both versions can be used with ITG internal air filters.



SPECIFICATIONS (112X)

Dim.: (see below)
Volume: 4.4L
Weight: 0.7KG
Material: Carbon Fibre or GRP
Fitment: Universal



More Zolder back plates on [page 24](#)



Interlagos 112X on Porsche 911 with flat-6 engine



Caterham 7 with Honda B20 engine with Interlagos 112D LH



Part No.	ZOLDER 112D/X	£ (Ex. VAT)
R01SE0520	Carbon - LH 100mm Intake JC50	£396.95
R01SE0459	Carbon - LH 100mm Intake PX600	£376.95
1 R01SE0471	Carbon - LH 100mm Intake ITG Filter Kit	£499.99
R01SE0516	Carbon - LH Blank JC50	£313.45
R01SE0435	Carbon - LH Blank PX600	£292.95
R01SE0518	Carbon - RH 100mm Intake JC50	£396.95
R01SE0460	Carbon - RH 100mm Intake PX600	£376.95
R01SE0470	Carbon - RH 100mm Intake ITG Filter Kit	£499.99
R01SE0514	Carbon - RH Blank JC50	£313.45
R01SE0426	Carbon - RH Blank PX600	£292.95
R01SE0461	GRP - LH 100mm Intake PX600	£303.45
R01SE0521	GRP - LH 100mm Intake JC50	£313.95
R01SE0517	GRP - LH Blank JC50	£281.95
R01SE0446	GRP - LH Blank PX600	£271.95
R01SE0519	GRP - RH 100mm Intake JC50	£313.95
R01SE0462	GRP - RH 100mm Intake PX600	£303.45
R01SE0515	GRP - RH Blank JC50	£281.95
R01SE0444	GRP - RH Blank PX600	£271.95
2 R01SE0522	112X Carbon JC50	£359.95
R01SE0481	112X Carbon PX600	£334.95
R01SE0523	112X GRP JC50	£313.95
R01SE0487	112X GRP PX600	£303.45

ZOLDER 112D/X ACCESSORIES

3 R01SE0450	112D Backplate - 60mm Twin Angled	£222.95
4 R01SE0451	112D Backplate - 60mm Twin Straight	£222.95
5 R01SE6166	ITG Air Filter (70mm int. height)	£136.45
R01SE6161	Foam Gasket Only*	£9.44
6 R01SE0589	112D Bond on Cowl (makes Zolder 150D)	£156.45

» AIR BOXES, INDUCTION KITS & PLENUMS > AIR BOXES > ZOLDER 122/150D

>> [CLICK TO VIEW AIR BOX SIZE GUIDE](#)

>> [CLICK TO VIEW TECHNICAL DRAWINGS](#)

ZOLDER 122/150D

> for 4-CYLINDER ENGINES

The Zolder 150D is a large Carbon Fibre air box with a single 127.5mm (or twin 75mm) oval entry that can be fitted with either a PX600 or JC50 backplate. The Zolder 150D is available in LH or RH versions and can also accommodate internal air filters. The Zolder 122 Macau is a Carbon Fibre air box available in LH or RH entry versions for PX600 backplate only and features a 100mm diffused flow inlet and allows for use with air trumpet socks or air induction kits. All backplates are easy to self-drill to fit your application.



ITG air filter available for Zolder 112.
*If internal air filter is not required a foam gasket must be used

The Zolder 122 features a 100mm intake



Quick-release backplate fasteners

Both the Zolder 122 and 150D accommodate optional PX600 backplates (self-drilled)



The Zolder 150D can be specified with either a single 127.5mm oval intake or twin 75mm oval intakes

**for trumpet grommets see [page 36](#).

Part No. ZOLDER 122 (PX600 ONLY)

- | | | | |
|----------|------------------|----------------------|---------|
| 1 | R01SE0546 | LH 100mm PX600 Inlet | £418.95 |
| | R01SE0544 | RH 100mm PX600 Inlet | £418.95 |

ZOLDER 150D

- | | | | |
|----------|------------------|------------------------------|---------|
| | R01SE0592 | 127.5mm LH Inlet JC50 | £449.95 |
| | R01SE0593 | 127.5mm RH Inlet JC50 | £449.95 |
| 2 | R01SE0591 | 127.5mm RH Inlet PX600 | £429.45 |
| | R01SE0590 | 127.5mm LH Inlet PX600 | £429.45 |
| | R01SE0757 | 2 x 75mm Oval LH Inlet JC50 | £589.85 |
| 3 | R01SE0758 | 2 x 75mm Oval RH Inlet JC50 | £589.85 |
| | R01SE0759 | 2 x 75mm Oval LH Inlet PX600 | £569.35 |
| | R01SE0760 | 2 x 75mm Oval RH Inlet PX600 | £569.35 |

ZOLDER ACCESSORIES

- | | | | |
|----------|------------------|-----------------------------------|---------|
| 4 | R01SE6166 | ITG Air Filter (70mm Int. Height) | £136.45 |
| | R01SE6161 | Foam Gasket Only* | £9.44 |



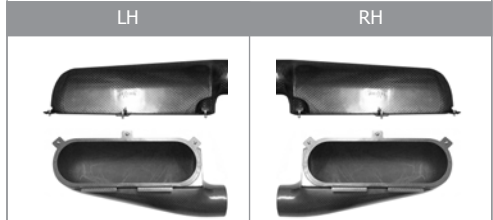
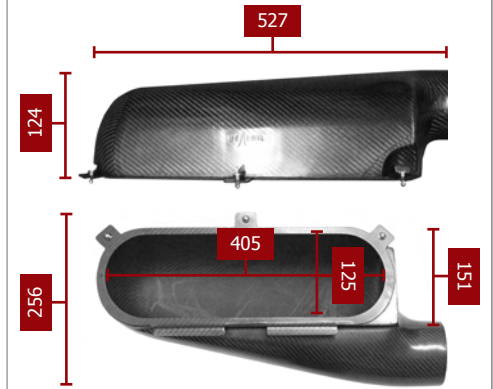
Caterham CSR260



Ford Duratec

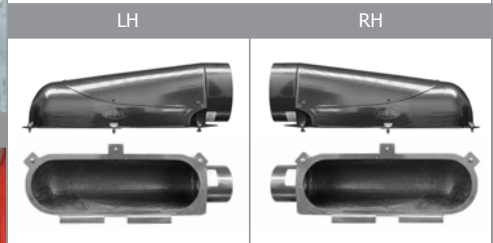
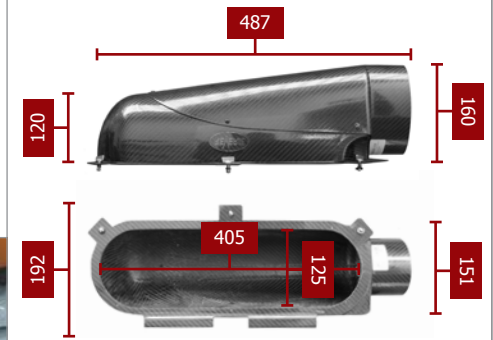
SPECIFICATIONS (122)

Dim.: (see below)
Volume: 7.2L
Weight: 0.7KG
Material: Carbon Fibre
Fitment: Universal



SPECIFICATIONS (150D)

Dim.: (see below)
Volume: 9.1L
Weight: 0.7KG
Material: Carbon Fibre
Fitment: Universal





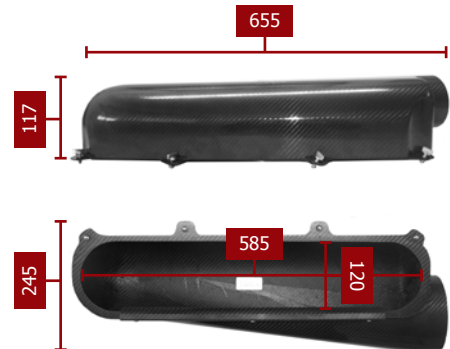
» AIR BOXES, INDUCTION KITS & PLENUMS > AIR BOXES > ZOLDER MACAU/MACAU MAX

>> [CLICK TO VIEW AIR BOX SIZE GUIDE](#)

>> [CLICK TO VIEW TECHNICAL DRAWINGS](#)

SPECIFICATIONS (MACAU)

Dim.: (see below)
Volume: 10.5L
Weight: 1.0KG
Material: Carbon Fibre
Fitment: Universal



ZOLDER MACAU/MAX
 > for 6-CYLINDER ENGINES

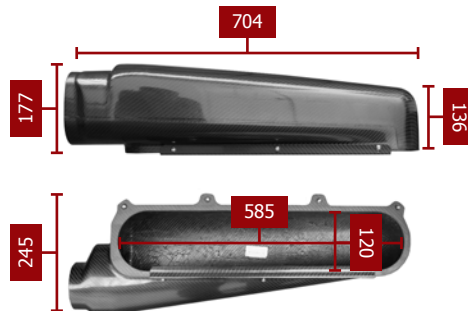
The Zolder 6Cyl and 6Cyl MAX is a large Carbon Fibre air box suitable for 6-cylinder engines and is available in LH or RH versions to suit ITG JC100 backplates with 127.5 entry recommended. The 6Cyl MAX can accept either a 127.5mm or 150mm diameter inlet. Both the Macau and Macau MAX can accept internal foam filters.



Zolder Macau LH on BMW 6-cyl M20/M30 engine in BMW E30 (1982 - 1994)

SPECIFICATIONS (MAX)

Dim.: (see below)
Volume: 17.0L
Weight: 1.0KG
Material: Carbon Fibre
Fitment: Universal



*Foam gasket required if no air filter is used



page 36



The Zolder Macau features a 150mm oval inlet



The Zolder Macau MAX can accept either a 127.5mm or 150mm inlet



Quick-release backplate fasteners

Part No.	ZOLDER MACAU	£ (Ex. VAT)
1 R01SE0561	LH (specify 100/127.5mm inlet)	£628.95
2 R01SE0560	RH (specify 100/127.5mm inlet)	£628.95
	ZOLDER MACAU MAX (DEEP)	
R01SE0717	LH (specify 127.5/150mm inlet)	£649.00
3 R01SE0718	RH (specify 127.5/150mm inlet)	£649.00
	ZOLDER ACCESSORIES	
4 R01SE0572	Foam Gasket*	£10.49
5 R01SE6212	ITG Air Filter (85mm Int. Height)	£156.45

8

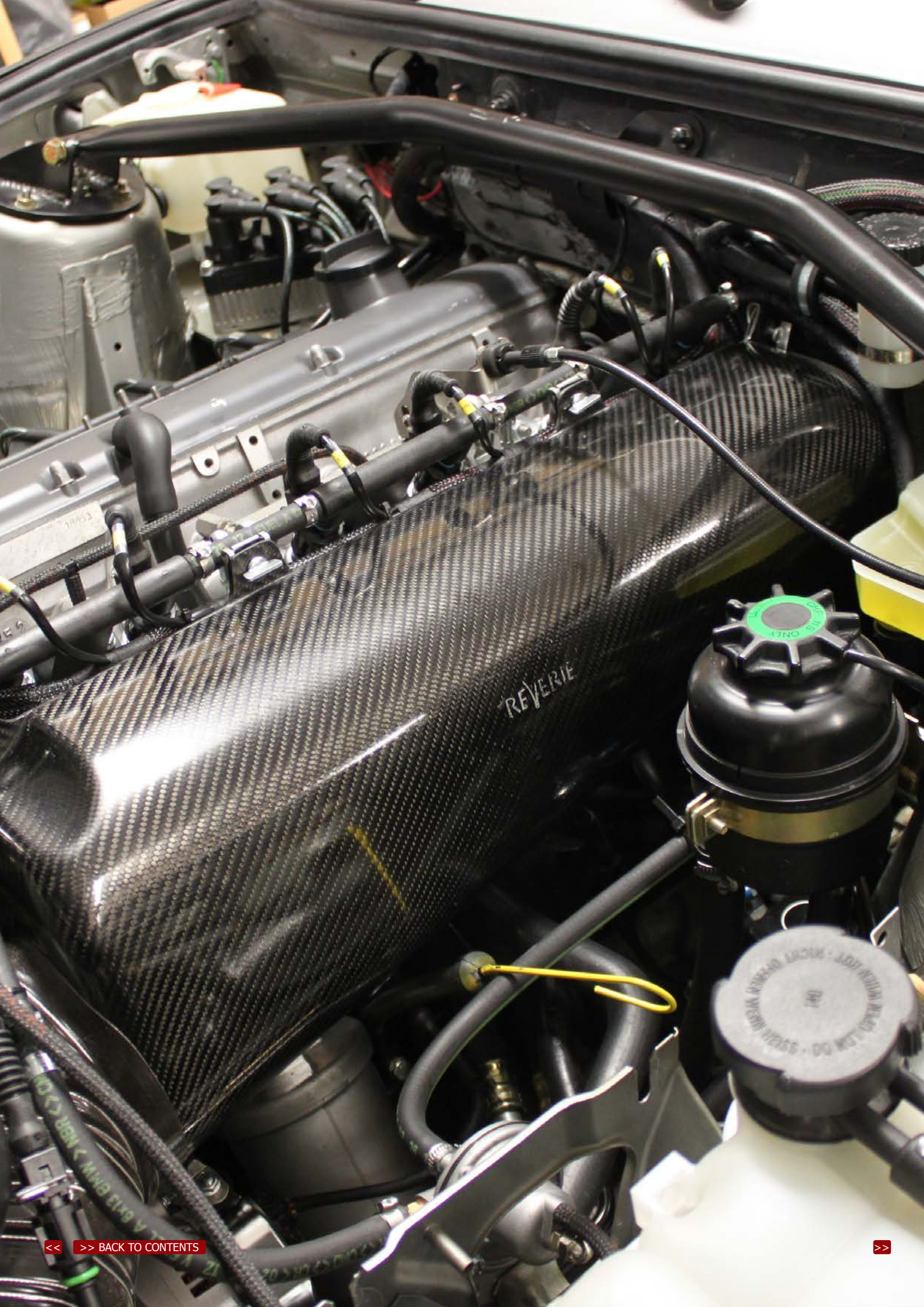
ZOLDER BACK PLATES

> for 4-CYLINDER ENGINES



Part No.	ZOLDER JC50 BACK PLATES	£ (Ex. VAT)
1	R01SE0738 Carbon 30-to-10mm Width Angled +11°	£182.95
2	R01SE0739 Carbon 30-to-10mm Width Angled -11°	£182.95
3	R01SE0743 Carbon 30-to-10mm Length Angled +3°	£182.95
4	R01SE0744 Carbon 30-to-10mm Length Angled -3°	£182.95
5	R01SE0728 Carbon 60-to-15mm Width Angled +23°	£182.95
6	R01SE0735 Carbon 60-to-15mm Width Angled -23°	£182.95
7	R01SE0747 Carbon 60-to-15mm Length Angled +7°	£182.95
8	R01SE0748 Carbon 60-to-15mm Length Angled -7°	£182.95
9	R01SE0769 Carbon 90-to-40mm Width Angled +28°	£182.95
10	R01SE0770 Carbon 90-to-40mm Width Angled -28°	£182.95
11	R01SE0771 Carbon 90-to-40mm Length Angled +7°	£182.95
12	R01SE0772 Carbon 90-to-40mm Length Angled -7°	£182.95
ZOLDER PX600 BACK PLATES		
13	R01SE0449 Alloy Flat	£34.13
14	R01SE0429 Carbon Flat	£72.45
15	R01SE0427 Carbon 30mm	£103.95
16	R01SE0736 Carbon 30-to-10mm Width Angled +11°	£182.95
17	R01SE0737 Carbon 30-to-10mm Width Angled -11°	£182.95
18	R01SE0741 Carbon 30-to-10mm Length Angled +3°	£182.95
19	R01SE0742 Carbon 30-to-10mm Length Angled -3°	£182.95
20	R01SE0428 Carbon 60mm	£103.95
21	R01SE0749 Carbon 60-to-15mm Width Angled +25°	£182.95
22	R01SE0750 Carbon 60-to-15mm Width Angled -25°	£182.95
23	R01SE0751 Carbon 60-to-15mm Length Angled +7°	£182.95
24	R01SE0752 Carbon 60-to-15mm Length Angled -7°	£182.95
25	R01SE0502 Carbon 90mm	£103.95
26	R01SE0773 Carbon 90-to-40mm Width Angled +28°	£182.95
27	R01SE0774 Carbon 90-to-40mm Width Angled -28°	£182.95
28	R01SE0775 Carbon 90-to-40mm Length Angled +7°	£182.95
29	R01SE0776 Carbon 90-to-40mm Length Angled -7°	£182.95
30	R01SE0447 GRP 30mm	£82.95
31	R01SE0448 GRP 60mm	£82.95
32	R01SE0503 GRP 90mm	£82.95
ZOLDER 65X BACK PLATES		
33	R01SE6170 2mm C/Fibre Flat - Non-Boosted	£41.99
34	R01SE6168 2mm Alloy Flat - Blank	£34.13
35	R01SE0495 Carbon 30mm	£103.95
36	R01SE0753 Carbon 30-to-10mm Width Angled 12°	£182.95
37	R01SE0754 Carbon 30-to-10mm Length Angled 3°	£182.95
38	R01SE0497 Carbon 60mm	£103.95
39	R01SE0745 Carbon 60-to-15mm Width Angled 25°	£182.95
40	R01SE0746 Carbon 60-to-15mm Length Angled 7°	£182.95
41	R01SE0542 Carbon 90mm	£103.95
42	R01SE0755 Carbon 90-to-20mm Width Angled 37°	£182.95
43	R01SE0756 Carbon 90-to-20mm Length Angled 10°	£182.95
44	R01SE0496 GRP 30mm	£82.95
45	R01SE0498 GRP 60mm	£82.95
46	R01SE0543 GRP 90mm	£82.95
47	R01SE6169 Rubber Gasket Only 65X	£9.44
ZOLDER MACAU BACK PLATES		
48	R01SE0568 JC100 Flat Carbon	£98.70
49	R01SE0569 JC100 Carbon 30mm	£129.00
50	R01SE0570 JC100 Carbon 60mm	£139.00
51	R01SE0571 JC100 Carbon 90mm	£149.00
52	R01SE0572 Foam Gasket*	£10.49

More information and [dimensioned drawings](#) can be found [on our website](#)



INDUCTION KITS

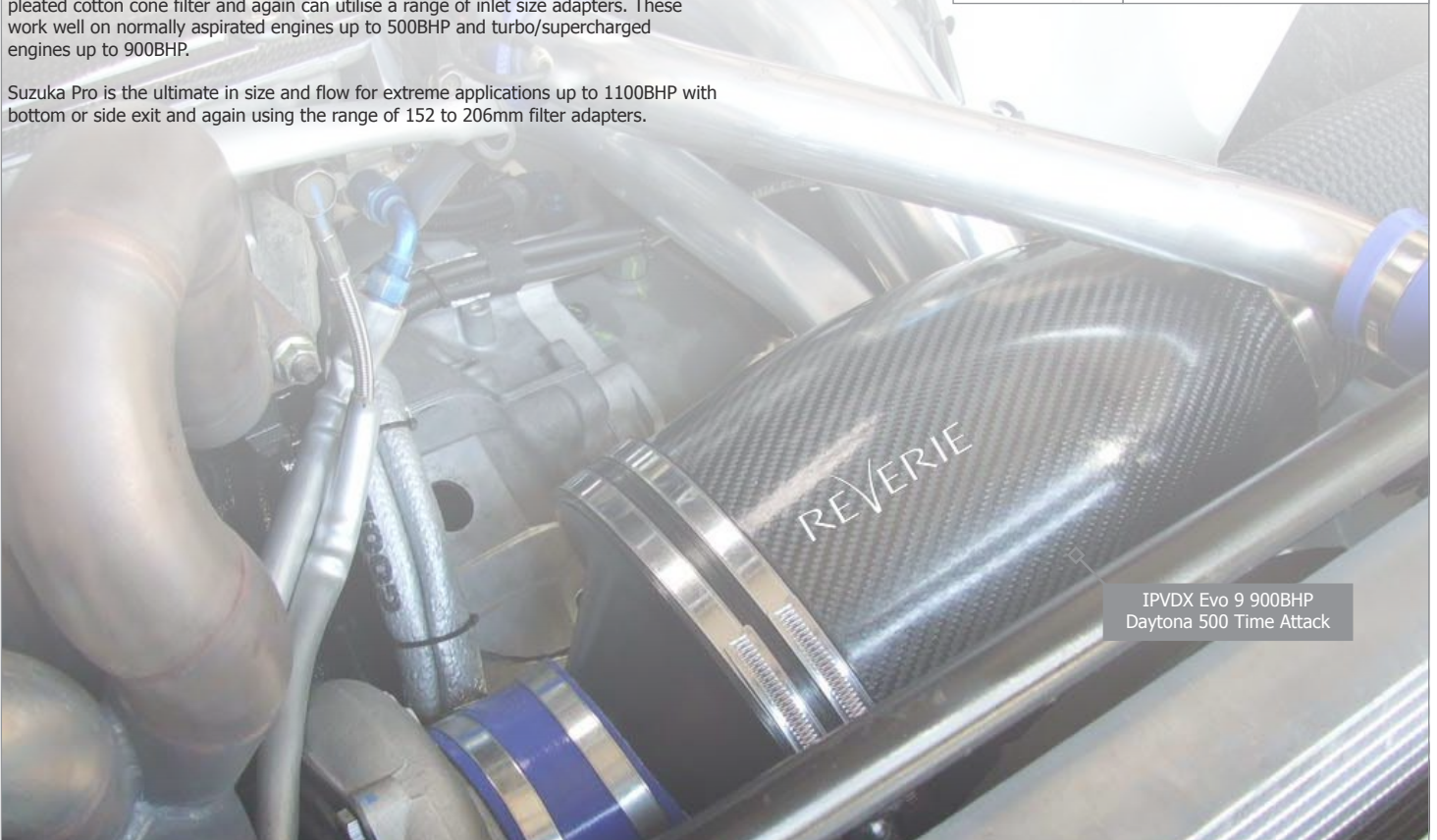
We offer universal or application specific air induction kits which offer power increases over original equipment filter boxes by increased flow capacity. We also offer remote filter kits, for where a filter cannot be packaged inside your new throttle body air box or you wish to retain as much air box volume as possible. The largest remote filters Daytona 500/Suzuka Pro in our range are capable of flowing sufficient air for high performance engines or for smaller engines in endurance racing with minimal performance loss.

Daytona 200/230, Indy 200 & Suzuka 200/290 all utilise our 152mm pleated cotton cone filter which can be purchased with a radius non ducted entry (R01SE6099) or a ducted entry (R01SE6098) to fit a wide range of 152mm inlet size adapters. The Suzuka 290 Clubman features a filter each end and a central 100mm exit for higher power applications. These are recommended for NA up to 250BHP or Turbo/ Supercharged applications for 250 - 500BHP. The Daytona 500 uses our larger 206mm pleated cotton cone filter and again can utilise a range of inlet size adapters. These work well on normally aspirated engines up to 500BHP and turbo/supercharged engines up to 900BHP.

Suzuka Pro is the ultimate in size and flow for extreme applications up to 1100BHP with bottom or side exit and again using the range of 152 to 206mm filter adapters.

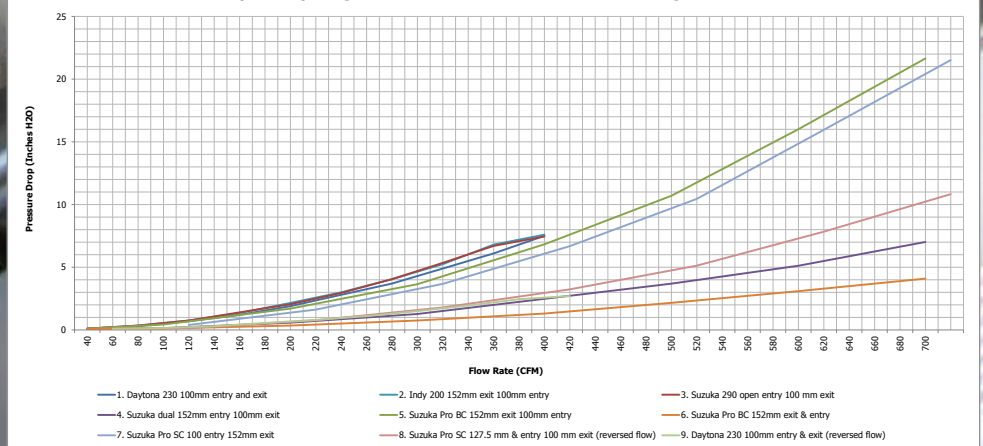
INDUCTION KIT RANGE:

	DAYTONA Available in three sizes (200, 230 & 500) with multiple outlets (page 27)
	INDY Available in three different versions (page 28)
	SUZUKA Available in three different versions (page 29)



IPVDX Evo 9 900BHP
Daytona 500 Time Attack

Graph Comparing Flow Rate vs Pressure Loss for our Range of Remote Filters



>> [CLICK TO VIEW AIR FLOW DATA](#)

>> [CLICK TO VIEW TECHNICAL DRAWINGS](#)

SPECIFICATIONS

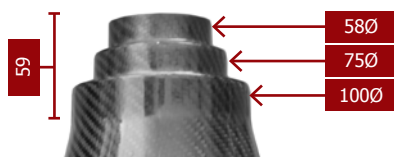
Dim.: (see below)
Weight: 0.5KG
Material: Carbon Fibre/Aluminium
Fitment: Universal

Daytona Range Lengths

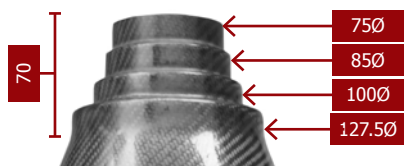


NOTE: Dimensions above for the 200, 230C, 230TT and 500 show the longest stepped variants, see [technical drawings](#) on our website for complete dimensions

(Daytona 200/230)



(Daytona 500)



DAYTONA 200/230/500

The Daytona 200/230 range of air induction kits are suitable for normally aspirated engines up to 250bhp naturally aspirated and turbocharged engines up to 320bhp. The Daytona 200/230 provides a neatly enclosed system that is compatible with most engines and accommodates a maximum outlet size of 100mm. The kit is available in three variants; a full Carbon Fibre cannister and adaptor assembly, Carbon cannister with Aluminium adaptor or full spun Aluminium cannister and adaptor. The Daytona 230 can be specified with a 58, 75 or 100mm outlet. All Daytona 230 induction kits include 1m of noise-reducing Micropore ducting, Alloy bell-mouth intake, cone air filter and all clips required for installation. The Daytona 230 is compatible with our 152mm (6") filter adaptors on [page 36 - 38](#).

The Daytona 500 is similar the Daytona 230 but features a 206mm (8") inlet and larger filters where very-high air flow is required. (suitable for 500bhp (N/A) or upto 900BHP for turbo engines). The Daytona 500 is available in either Carbon Fibre or Alloy and can be specified with a range exits (75,85,100 & 127.5mm) and filter adaptor reducers.

The Daytona 230 and 500 are available in either Carbon Fibre or Aluminium

100mm Micropore ducting



Toyota VVTi 1.8 MAF adaptor Elise S2 111R induction kit



Air filters and other accessories from [p.34](#)



Part No.	DAYTONA INDUCTION KITS	£ (Ex. VAT)
R01SE0272	230A TT - 152mm, Alloy	£250.95
R01SE0174	230C - 152mm, Carbon/Alloy	£314.99
R01SE0173	230CX - 152mm, Carbon	£387.98
R01SE0611	500A - 206mm Alloy	£313.95
R01SE0610	500C - 206mm Carbon/Alloy	£418.95
DAYTONA CANISTER ONLY		
1 R01SE6117	200 - Alloy 152mm Inlet/58mm Outlet	£115.45
R01SE6118	200 - Alloy 152mm Inlet/75mm Outlet	£115.45
R01SE6119	200 - Alloy 152mm Inlet/100mm Outlet	£115.45
2 R01SE6030	230A - Alloy 152mm Inlet/100mm Outlet (L)	£115.45
3 R01SE0198	230C - Carbon 152mm Inlet/100mm Outlet	£172.20
R01SE6036	230TT - Alloy 152mm Inlet/58mm Outlet	£115.45
R01SE6038	230TT - Alloy 152mm Inlet/75mm Outlet	£115.45
4 R01SE6040	230TT - Alloy 152mm Inlet/100mm Outlet	£115.45
R01SE0596	500 - Alloy 206mm Inlet/75mm Outlet	£124.95
R01SE0598	500 - Alloy 206mm Inlet/85mm Outlet	£124.95
R01SE0600	500 - Alloy 206mm Inlet/100mm Outlet	£124.95
R01SE0602	500 - Alloy 206mm Inlet/127.5mm Outlet	£124.95
5 R01SE0594	500 - Carbon 206mm Inlet/Multiple Outlet	£191.63
DAYTONA ACCESSORIES		
6 R01SE0371	Daytona 230 Air Filter Bracket Mounting Kit	£93.45
7 R01SE6078	Daytona 230 Int. Ram Pipe 75mm Alloy	£41.99
8 R01SE0604	Daytona 500 Air Filter Bracket Mounting Kit	£73.45
9 R01SE0545	S/Steel Filter Mounting Clamp (200/230)	£7.30
R01SE0605	S/Steel Filter Mounting Clamp (500)	£7.30



Daytona 230 remote filter setup on Caterham 7 with C20XE engine

» AIR BOXES, INDUCTION KITS & PLENUMS > INDUCTION KITS > INDY

>> [CLICK TO VIEW AIR FLOW DATA](#)

>> [CLICK TO VIEW TECHNICAL DRAWINGS](#)



INDY

The Indy 200 range is available in three different 152mm styles with various inlet and outlet adaptors; a straight-through kit with an adaptor at each end (BC) **1**, flat-entry (FC) **2** and side-entry (SC) **3** versions. The Indy 200SC kit allows abond-on rectangular-to-circular 100/75mm inlet/outlet pipe, increasing the ease of fitment in unusually shaped engine bays. The Indy 200BC and 200FC use our range of bond-on inlet pipes or Alloy trumpets and 152mm filter adaptors (adaptor sizes available; 58, 70, 75, 85, 100 and 127.5mm dia) ([see page 38](#)).

SPECIFICATIONS

Dim.: L236 x Dia.152mm
Volume: 4.4L
Weight: 0.7KG
Material: Carbon Fibre
Fitment: Universal



Part No.	INDY INDUCTION KITS	£ (Ex. VAT)
1 R01SE0375	Indy 200BC - Top Intake/Exit	£345.45
2 R01SE0376	Indy 200FC - Top & Flat Side Intake/Outlet	£345.45
3 R01SE0377	Indy 200SC - Top & Snail Side Intake/Outlet	£461.48
4 R01SE0351	Indy 200BC (Canister Only)	£172.20
5 R01SE0352	Indy 200FC (Canister Only)	£172.20
6 R01SE0374	Indy 200SC (Canister Only)	£172.20
7 R01SE0372	75mm - 140 x 40mm Rectangular Outlet	£156.98
R01SE0304	100mm - Outlet 140 x 40mm Rectangular	£156.98



SPECIFICATIONS

Volume: 4.8L
Weight: 0.7KG
Material: Carbon Fibre/GRP
Fitment: Universal

SUZUKA

The Suzuka induction kit range provide a practical solution for filtering air outside of the air box. The Suzuka range is available in three versions; straight-through flow in either Carbon Fibre (200C) or GRP (200G) (suitable for upto 230bhp N/A or 320bhp for turbocharged engines) or as a "Clubman" high-flow dual inlet kit with two 152mm (6") cone air filters and 100mm side outlet (suitable for up to 500BHP engines). The ultra-high flow Suzuka PRO (suitable for upto 1100bhp engines) is available in either 100mm side outlet (SC) or 100mm (BC) base-offset outlet versions. The base offset version allows a custom inlet/outlet size of either 58, 70,75,85,100,127.5 or 152mm.



The Suzuka 290 Clubman features 2 air filter inlets



Suzuka Pro SC



The Suzuka 200 features a single air filter inlet

Filter adaptors on [page 37](#)

Optional accessories on [page 37](#) (Suzuka Pro BC cap shown)



Part No.	SUZUKA INDUCTION KITS	£ (Ex. VAT)
1 R01SE0488	290 Clubman Dual 100mm Centre Intake	£398.00
2 R01SE0047	200C Single Carbon Air Induction Kit	£345.45
R01SE0114	200G Single GRP Air Induction Kit	£250.95
3 R01SE0479	Pro BC Carbon Air Induction Kit	£408.45
R01SE0478	Pro SC Carbon Air Induction Kit	£408.45
SUZUKA CANISTER ONLY		
R01SE0457	290 Clubman Carbon Canister	£303.45
R01SE0049	200C Carbon Canister	£177.45
R01SE0115	200G GRP Canister	£145.95
ACCESSORIES		
4 R01SE0456	Suzuka 100mm Fibre Centre Air Outlet	£135.45
5 R01SE0051	Suzuka 200/290 Carbon Fibre End Cap	£66.10
6 R01SE0116	Suzuka 200/290 GRP End Cap	£55.60
7 R01SE6177	Suzuka PRO BC/SC Air Filter	£77.49
8 R01SE6098	Air Filter (for Filter Adaptors)	£55.64
9 R01SE6099	Air Filter (for Plain Radius Entry)	£55.64

PLENUMS

Furthering on from our experience working as a supplier to AER Engines for Le Mans Car Plenums, we have launched a range of universal-fit, four and six-cylinder autoclaved Carbon Fibre plenums for naturally aspirated single throttle engines (sometimes using original or uprated larger drive-by-wire throttle) or forced induction via a single 65-70mm throttle body on the plenum end or multiple throttles on the manifold, or single inlet runners after the Plenum. Active Technologies can make custom inlet runners/trumpets and manifolds to suit most engines.

The Fontana plenum range is rated for internal pressures of up to 3.5bar, featuring an internal stainless steel 18 off M5 blind hole insert base plate to ensure a good seal with the nitrile gasket and range of back plates. For higher boost applications we strongly recommend the use of our CNC ribbed aluminium 4mm back plates and superior O-ring seal. We can custom CNC machine-in the trumpet bores at spacings and diameters needed at a small on-cost or, alternatively, you can self-machine.

Our Fontana plenums are designed for 3 styles of inlet connection (more information can be found overleaf):

- M900 Wiggins type adaptors available in 2.5, 3.0, 3.5 & 4.0" sizes
- S2000 4-bolt 85mm PCD/70mm bore adaptor to suit bolt-on hose barb adaptors. Hose barb adaptors are available in either 50, 55, 60, 65 & 70mm bores for direct silicone hose connection on 4 and 6 cylinder plenums
- S2000 4-bolt 85mm PCD/70mm bore adaptor to suit throttle bodies. Active Technologies make a 65mm shaft-less throttle or Jenvey make a 70mm SFG70/0 throttle body. A larger 4 bolt throttle adapter to accommodate a 90mm SFG90 single body throttle is available on the Fontana 6 cylinder plenum only. Other specialist inlet throttle adapters can be quoted by us on application to fit your existing drive-by-wire or new larger single throttle body needs. Some specialists, such as Plazaman also make Wiggins bolt-on adapters to fit your single plenum entry throttle body (see below).

PLENUM RANGE:

	FONTANA 65 Suitable for 4 cylinder engines and features a 17° cranked inlet (page 32)
	FONTANA 65X Suitable for 4 cylinder engines with a diffuser taper bottom inlet (page 32)
	FONTANA 112 Suitable for 4 cylinder engines (page 33)
	FONTANA 112X Suitable for 4 cylinder engines and features a central inlet (page 33)
	FONTANA 122 MACAU High volume plenum suitable for 4 cylinder engines with a diffuser taper bottom inlet (page 34)
	FONTANA 6CYL High volume plenum suitable for 6 cylinder engines (page 35)



Plazaman Wiggins throttle adaptors



Fontana 65 on Active Technologies throttle bodies



Fontana 112 on Rotrex supercharged K-Series engine

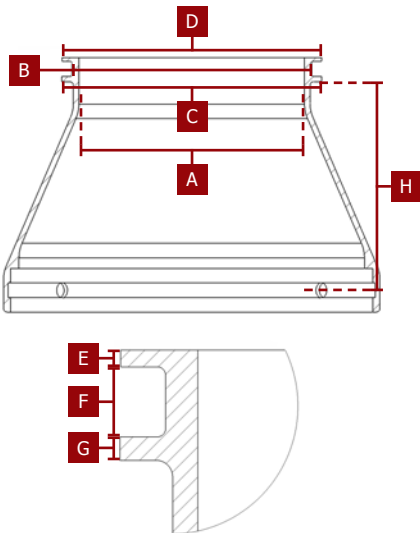
>> [CLICK TO VIEW PLENUM SIZE GUIDE](#)
>> [CLICK TO VIEW TECHNICAL DRAWINGS](#)

PLENUM INLET CONNECTION OPTIONS



M900 Wiggins Connector Option

Available in the following sizes; 2.5", 3.0", 3.5" and 4.0". Note; the Fontana 6Cyl is only available with 3.0", 3.5" and 4.0" size Wiggins connectors.



	DIMENSION (mm)							
SIZE	A	B	C	D	E	F	G	H
2.5"	62.00	65.85	71.35	71.27	1.00	4.20	1.40	57.40
3.0"	74.50	78.56	84.05	83.97	1.00	4.20	1.40	57.40
3.5"	87.20	91.56	97.05	96.97	1.00	4.20	1.40	57.40
4.0"	99.90	104.50	109.98	109.90	1.00	4.20	1.78	57.40

Web links for further information;

Please note you can obtain the M900 Wiggins couplers, O-rings and other weld-on Ferrules for the rest of your boost pipe system from the following places;

- >> [BMRS](#)
- >> [EARLS](#)
- >> [CLARENDONSF](#)



Hose Barb Connector

The S2000 adaptor (image above, diagram column right) is an Alloy 4-bolt 85mm PCD/70mm bore connector which can accommodate various bolt-on hose barb connectors (image below, left) which in turn can be used to connect flexible hoses (image below, right).

Hose barb connectors are available in the following sizes;

- 50mm (R01SE6185)
- 55mm (R01SE6187)
- 60mm (R01SE6189)
- 65mm (R01SE6191)
- 70mm (R01SE6193)

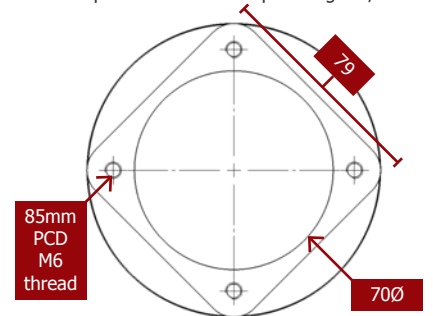


For the Fontana 6Cyl, a special hose barb adaptor (R01SE6240) is available to convert the Jenvey SFG90 LS3 90mm throttle adaptor option (column right) into a hose barb adaptor with 100mm exit;



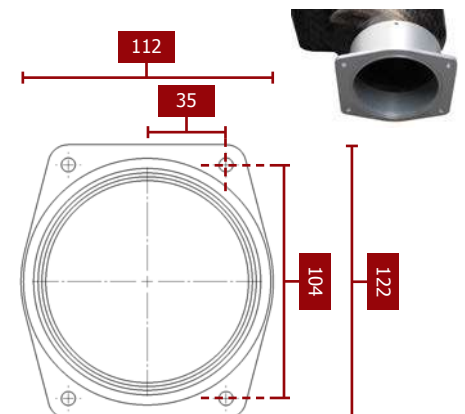
Throttle Body Connection

The S2000 adaptor can be used to connect an AT Power S2000 65mm shaft-less throttle body or a Jenvey SFG70/0 70mm throttle body to 4 or 6-cylinder plenums. S2000 adaptor diagram;



A bolt-on 64 to 70mm tapered bore adaptor is also available (R01SE6182)

For the Macau 6-cylinder, a larger 90mm adaptor (90mm LS3 adaptor) can be specified to accommodate the Jenvey SFG90 single throttle body (image & diagram below)



» AIR BOXES, INDUCTION KITS & PLENUMS >
PLENUMS > FONTANA 65/65X

>> [CLICK TO VIEW PLENUM SIZE GUIDE](#)

>> [CLICK TO VIEW TECHNICAL DRAWINGS](#)



FONTANA 65/65X

> for 4-CYLINDER ENGINES

Suitable for 4-cylinder engines, the Fontana 65 is identical to the Zolder 65C air box but features a stronger construction to deal with higher pressures (upto 3.5bar) and 18-hole backplate fixing and a inlet. The Fontana 65X is identical to the Zolder 65X but features all the upgrades of the Fontana 65 and is available in LH or RH versions. Both the 65/65X are available with three different connection options; M900 Wiggins connector (sizes 2.5, 3.0, 3.5 & 4.0"), throttle body connector (utilising S2000 4-bolt 85mm PCD/70mm bore alloy mount) or hose barb connector (utilising S2000 mount with inlet hose adaptors ranging from 50-70mm).

The Fontana 65 features a cranked inlet (cranked over at 17°)



S2000 85mm PCD/70mm bore mount with AT Power Shaftless 65mm throttle body (not supplied).

18-hole back plate combined with nitrile gasket provides air-tight seal. For high-boost applications use R01SE6171 4mm CNC ribbed alloy backplate & o-ring

The S2000 mount can be used with inlet hose adaptors to allow connection of silicone hose. Both 65/65X are also available with M900 Wiggins connectors

SPECIFICATIONS (65)

Dim.: Dimensions identical to Zolder 65C, see [page 20](#)
Volume: 4.2L
Weight: 1.0KG
Material: Carbon Fibre
Fitment: Universal

(65X)

Dim.: Dimensions identical to Zolder 65X, see [page 20](#)
Volume: 4.4L
Weight: 1.0KG
Material: Carbon Fibre
Fitment: Universal



The Fontana 65X is available in either LH or RH versions



S2000 85mm PCD/70mm bore mount for throttle body/ hose barb inlet adaptor



Wiggins connector option

Part No. FONTANA 65

- R01SE0527 2.5" M900 Wiggins Connector
- R01SE0528 3.0" M900 Wiggins Connector
- R01SE0622 3.5" M900 Wiggins Connector
- R01SE0623 4.0" M900 Wiggins Connector
- 1** R01SE0477 S2000 85mm PCD/70mm Bore Mount

£ (Ex. VAT)

- £712.95
- £712.95
- £712.95
- £712.95
- £712.95

FONTANA 65X

- R01SE0531 LH 2.5" M900 Wiggins Connector
- R01SE0532 LH 3.0" M900 Wiggins Connector
- R01SE0625 LH 3.5" M900 Wiggins Connector
- R01SE0627 LH 4.0" M900 Wiggins Connector
- 2** R01SE0485 LH S2000 85mm PCD/70mm Bore Mount
- R01SE0537 RH 2.5" M900 Wiggins Connector
- R01SE0538 RH 3.0" M900 Wiggins Connector
- R01SE0624 RH 3.5" M900 Wiggins Connector
- R01SE0626 RH 4.0" M900 Wiggins Connector
- R01SE0536 RH S2000 85mm PCD/70mm Bore Mount

- £712.95
- £712.95
- £712.95
- £712.95
- £712.95
- £712.95
- £712.95
- £712.95
- £712.95
- £712.95

FONTANA 65 & 65X ACCESSORIES

- 3** R01SE0501 Air Intake 90deg Adapter 100mm Dia £119.00
- 4** R01SE6170 2mm C/Fibre Backplate - Non-Boosted £41.99
- R01SE6168 2mm Alloy Backplate - Blank £34.13
- 5** R01SE6246 4mm Alloy Ribbed CNC Backplate - Boosted £182.70
- 6** R01SE6171 4mm Alloy Backplate - 18 Hole £41.48
- 7** R01SE0483 30mm Carbon Fibre Back Plate £166.95
- 8** R01SE0489 60mm Carbon Fibre Back Plate £166.95
- 9** R01SE0504 90mm Carbon Fibre Back Plate £187.95
- 10** R01SE6248 Backplate O-ring (To Suit R01SE6246) £13.64
- 11** R01SE6169 18 Hole Backplate Nitrile Gasket £14.69
- 12** R01SE6185 Inlet Hose Adaptor 50mm O/D (Clear Anodised) £73.45
- R01SE6187 Inlet Hose Adaptor 55mm O/D (Clear Anodised) £73.45
- 13** R01SE6189 Inlet Hose Adaptor 60mm O/D (Clear Anodised) £73.45
- R01SE6191 Inlet Hose Adaptor 65mm O/D (Clear Anodised) £73.45
- 14** R01SE6193 Inlet Hose Adaptor 70mm O/D (Clear Anodised) £73.45
- 15** R01SE6182 S2000 Alloy Throttle Adaptor Spacer 64-70mm £83.95



For S2000 flange mounting only

>> [CLICK TO VIEW PLENUM SIZE GUIDE](#)

>> [CLICK TO VIEW TECHNICAL DRAWINGS](#)

SPECIFICATIONS (112)

Dim.: Dimensions identical to Zolder 112D, see [page 21](#)
Volume: 5.7L
Weight: 1.0KG
Material: Carbon Fibre
Fitment: Universal

SPECIFICATIONS (112X)

Dim.: Dimensions identical to Zolder 112X, see [page 21](#)
Volume: 4.4L
Weight: 1.0KG
Material: Carbon Fibre
Fitment: Universal

FONTANA 112/112X

> for 4-CYLINDER ENGINES

The Fontana 112 is based on the Zolder 112D and the Fontana 112X is based on the Zolder 112X but both are structurally stronger to withstand higher pressures (upto 3.5bar). This allows Fontana 112 plenums to be used with aspirated/boosted engine as well as normally aspirated engines. Both the 112/112X are available with three different connection options; M900 Wiggins connector (sizes 2.5, 3.0, 3.5 & 4.0"), throttle body connector (utilising S2000 4-bolt 85mm PCD/70mm bore alloy mount) or hose barb connector (utilising S2000 mount with inlet hose adaptors ranging from 50-70mm).



Wiggins connector option

The Fontana 112 has identical dimensions to the Zolder 112D to but has a stronger construction to deal with pressures upto 3.5bar

Jenvey SFG70/0 throttle body (not supplied)

S2000 85mm PCD/70mm bore mount for throttle body/ hose barb inlet adaptor



Wiggins connector option



The Fontana 112X is based on the Zolder 112X but features a stronger construction to deal with higher pressures and 18-hole backplate fixing



18-hole back plate combined with nitrile gasket provides air-tight seal. The image shows AT Power inlet runners and throttle fitted mounted to a 4mm alloy backplate. Backplates can be machined to fit different inlet runners - contact us for details.



Honda Civic with B20 engine



For S2000 flange mount only

Part No.	FONTANA 112	£ (Ex. VAT)
R01SE0525	2.5" M900 Wiggins Connector	£712.95
R01SE0526	3.0" M900 Wiggins Connector	£712.95
1 R01SE0476	S2000 85mm PCD/70mm Bore Mount	£712.95
	FONTANA 112X	
R01SE0529	2.5" M900 Wiggins Connector	£712.95
R01SE0530	3.0" M900 Wiggins Connector	£712.95
R01SE0620	3.5" M900 Wiggins Connector	£712.95
R01SE0621	4.0" M900 Wiggins Connector	£712.95
2 R01SE0484	S2000 85mm PCD/70mm Bore Mount	£712.95
	FONTANA 112 & 112X ACCESSORIES	
3 R01SE0501	Air Intake 90deg Adapter 100mm Dia	£119.00
4 R01SE6170	2mm C/Fibre Backplate - Non-Boosted	£41.99
R01SE6168	2mm Alloy Backplate - Blank	£34.13
5 R01SE6246	4mm Alloy Ribbed CNC Backplate - Boosted	£182.70
6 R01SE6171	4mm Alloy Backplate - 18 Hole	£41.48
7 R01SE0483	30mm Carbon Fibre Back Plate	£166.95
8 R01SE0489	60mm Carbon Fibre Back Plate	£166.95
9 R01SE0504	90mm Carbon Fibre Back Plate	£187.95
10 R01SE6248	Backplate O-ring (To Suit R01SE6246)	£13.64
11 R01SE6169	18 Hole Backplate Nitrile Gasket	£14.69
12 R01SE6185	Inlet Hose Adaptor 50mm O/D (Clear Anodised)	£73.45
R01SE6187	Inlet Hose Adaptor 55mm O/D (Clear Anodised)	£73.45
13 R01SE6189	Inlet Hose Adaptor 60mm O/D (Clear Anodised)	£73.45
R01SE6191	Inlet Hose Adaptor 65mm O/D (Clear Anodised)	£73.45
14 R01SE6193	Inlet Hose Adaptor 70mm O/D (Clear Anodised)	£73.45
15 R01SE6182	S2000 Alloy Throttle Adaptor Spacer 64-70mm	£83.95

» AIR BOXES, INDUCTION KITS & PLENUMS >
PLENUMS > FONTANA MACAU 122

>> [CLICK TO VIEW PLENUM SIZE GUIDE](#)

>> [CLICK TO VIEW TECHNICAL DRAWINGS](#)



FONTANA MACAU 122

> for 4-CYLINDER ENGINES

The Fontana Macau 122 Carbon Fibre plenum is available in either LH or RH versions. The Macau 122 is available with three different connection options; M900 Wiggins connector (sizes 2.5, 3.0, 3.5 & 4.0"), throttle body connector (utilising S2000 4-bolt 85mm PCD/70mm bore alloy mount) or hose barb connector (utilising S2000 mount with inlet hose adaptors ranging from 50-70mm).



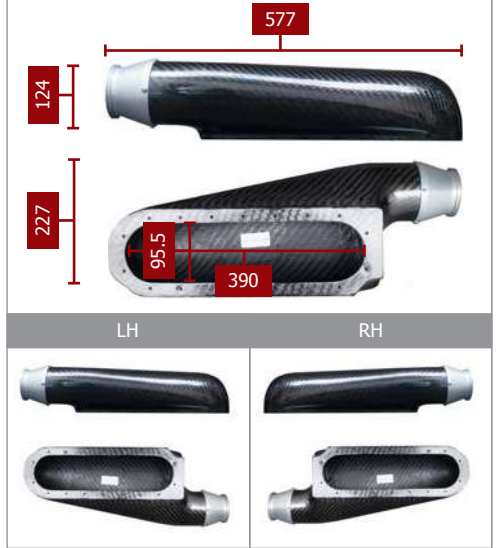
S2000 85mm PCD/70mm bore mount option for throttle body/hose barb

4.0" M900 Wiggins connector

The Fontana Macau 122 is available in either LH or RH versions

SPECIFICATIONS

Dim.: (see below)
Volume: 7.9L
Weight: 1.0KG
Material: Carbon Fibre
Fitment: Universal



18-hole back plate combined with nitrile gasket provides air-tight seal. For high-boost applications use R01SE6171 4mm CNC ribbed alloy backplate & o-ring

Part No.	FONTANA MACAU 122	£ (Ex. VAT)
R01SE0642	LH 2.5" M900 Wiggins Connector	£712.95
R01SE0643	LH 3.0" M900 Wiggins Connector	£712.95
R01SE0629	LH 3.5" M900 Wiggins Connector	£712.95
R01SE0631	LH 4.0" M900 Wiggins Connector	£712.95
R01SE0550	LH S2000 85mm PCD/70mm Bore Mount	£712.95
R01SE0640	RH 2.5" M900 Wiggins Connector	£712.95
R01SE0641	RH 3.0" M900 Wiggins Connector	£712.95
R01SE0628	RH 3.5" M900 Wiggins Connector	£712.95
1 R01SE0630	RH 4.0" M900 Wiggins Connector	£712.95
R01SE0547	RH S2000 85mm PCD/70mm Bore Mount	£712.95

FONTANA MACAU 122 ACCESSORIES

2 R01SE0501	Air Intake 90deg Adapter 100mm Dia	£119.00
3 R01SE6170	2mm C/Fibre Backplate - Non-Boosted	£41.99
R01SE6168	2mm Alloy Backplate - Blank	£34.13
4 R01SE6246	4mm Alloy Ribbed CNC Backplate - Boosted	£182.70
5 R01SE6171	4mm Alloy Backplate - 18 Hole	£41.48
6 R01SE0483	30mm Carbon Fibre Back Plate	£166.95
7 R01SE0489	60mm Carbon Fibre Back Plate	£166.95
8 R01SE0504	90mm Carbon Fibre Back Plate	£187.95
9 R01SE6248	Backplate O-ring (To Suit R01SE6246)	£13.64
10 R01SE6169	18 Hole Backplate Nitrile Gasket	£14.69
11 R01SE6185	Inlet Hose Adaptor 50mm O/D (Clear Anodised)	£73.45
R01SE6187	Inlet Hose Adaptor 55mm O/D (Clear Anodised)	£73.45
12 R01SE6189	Inlet Hose Adaptor 60mm O/D (Clear Anodised)	£73.45
R01SE6191	Inlet Hose Adaptor 65mm O/D (Clear Anodised)	£73.45
13 R01SE6193	Inlet Hose Adaptor 70mm O/D (Clear Anodised)	£73.45
14 R01SE6182	S2000 Alloy Throttle Adaptor Spacer 64-70mm	£83.95



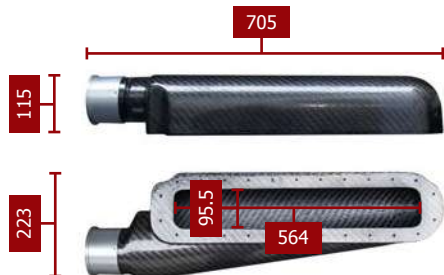
For S2000 flange mounting only

>> [CLICK TO VIEW PLENUM SIZE GUIDE](#)

>> [CLICK TO VIEW TECHNICAL DRAWINGS](#)

SPECIFICATIONS

Dim.: (see below)
Volume: 10.5L
Weight: 1.0KG
Material: Carbon Fibre
Fitment: Universal



S2000 85mm PCD/70mm bore mount option (suits Jenvey SFG70/0)



Jenvey SFG90 LS3 90mm throttle adaptor option



The Fontana 6Cyl can be used for pressures upto 3.5bar

4.0" Wiggins connector



Jenvey LS3 90mm to 100mm hose barb throttle adaptor plate

Part No.	FONTANA 6 Cyl	£ (Ex. VAT)
R01SE0615	LH 3.0" Adel M900 Wiggins Connector	£891.45
R01SE0617	LH 3.5" Adel M900 Wiggins Connector	£891.45
1 R01SE0619	LH 4.0" Adel M900 Wiggins Connector	£891.45
R01SE0585	LH S2000 85mm PCD/70mm Bore Mountr	£891.45
R01SE0587	LH 90mm LS3 Jenvey SFG90 Adaptor	£891.45
R01SE0614	RH 3" Adel M900 Wiggins Connector	£891.45
R01SE0616	RH 3.5" Adel M900 Wiggins Connector	£891.45
R01SE0618	RH 4" Adel M900 Wiggins Connector	£891.45
R01SE0584	RH S2000 85mm PCD/70mm Bore Mount	£891.45
R01SE0586	RH 90mm LS3 Jenvey SFG90 Adaptor	£891.45

FONTANA 6 Cyl ACCESSORIES

2 R01SE6247	CNC Ribbed 4mm Alloy Backplate	£201.60
3 R01SE0566	Flat Backplate - 4mm Alloy	£66.10
4 R01SE0573	30mm Carbon Backplate (Deep)	£219.00
5 R01SE0574	60mm Carbon Backplate (Deep)	£219.00
6 R01SE0575	90mm Carbon Backplate (Deep)	£219.00
7 R01SE6249	Backplate O-ring (for R01SE6347)	£17.84
8 R01SE0567	Nitrile Gasket	£15.74
9 R01SE6185	Inlet Hose Adaptor 50mm O/D (Clear Anodised)	£73.45
R01SE6187	Inlet Hose Adaptor 55mm O/D (Clear Anodised)	£73.45
10 R01SE6189	Inlet Hose Adaptor 60mm O/D (Clear Anodised)	£73.45
R01SE6191	Inlet Hose Adaptor 65mm O/D (Clear Anodised)	£73.45
11 R01SE6193	Inlet Hose Adaptor 70mm O/D (Clear Anodised)	£73.45
12 R01SE6182	S2000 Alloy Throttle Adaptor Spacer 64-70mm	£83.95
13 R01SE6240	Jenvey LS3 90 to 100mm Throttle Plate Adapter	£83.99



For S2000 flange mounting only

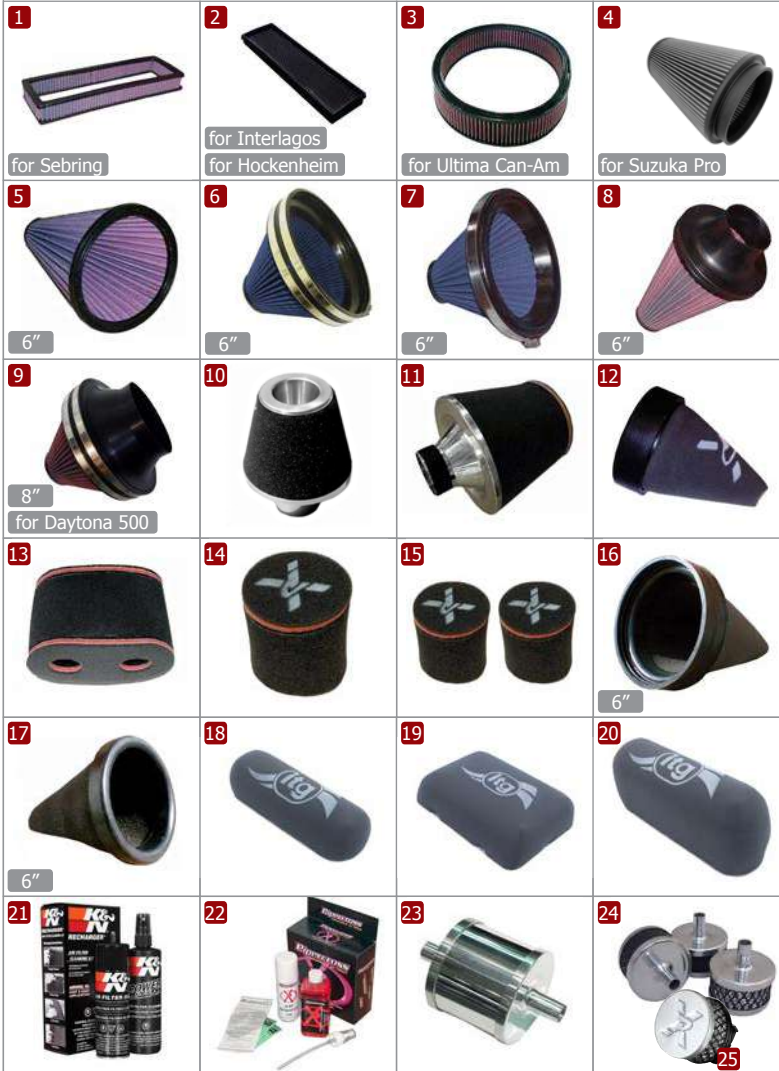
>> AIR BOX, INDUCTION KIT, PLENUM ACCESSORIES

> AIR FILTERS

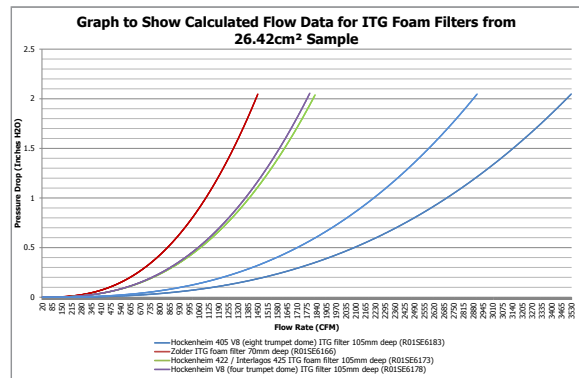
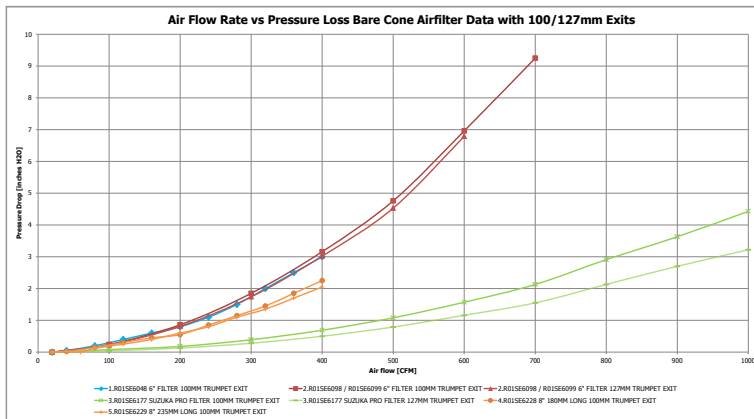
>> [CLICK TO VIEW AIR FILTER FLOW DATA](#)

>> [CLICK TO VIEW ITG FLOW DATA](#)

AIR FILTERS



Part No.	AIR FILTERS - COTTON GAUZE	£ (Ex. VAT)
1	R01SE6088 Air Filter - for Sebring (435 x 152 x 42mm)	£62.39
	R01SE6089 Air Filter - for Sebring (435 x 152 x 54.5mm)	£62.39
4	R01SE6177 Air Filter - for Suzuka Pro 152mm Entry	£77.49
5	R01SE6048 Cone Filter - AP-3098 Filter	£55.64
6	R01SE6098 Cone Filter - 152mm (6") (for Filter Adaptors)	£55.64
7	R01SE6099 Cone Filter - 152mm (6") (Plain Radius Entry)	£55.64
8	R01SE0342 Cone Filter - 152mm (6") 75mm Alloy Outlet	£86.63
8	R01SE0420 Cone Filter - 152mm (6") 85mm Alloy Outlet	£86.63
8	R01SE0343 Cone Filter - 152mm (6") 100mm Alloy Outlet	£86.63
8	R01SE0632 Cone Filter - 152mm (6") 127.5mm Alloy Outlet	£86.83
6	R01SE6228 Cone Filter - 206mm Dia x L170mm	£76.60
7	R01SE6229 Cone Filter - 206mm Dia x L210mm	£76.60
9	R01SE0636 Cone Filter - 206 to 75mm Alloy/Rubber	£146.95
9	R01SE0635 Cone Filter - 206 to 85mm Alloy/Rubber	£146.95
9	R01SE0634 Cone Filter - 206 to 100mm Alloy/Rubber	£146.95
9	R01SE0633 Cone Filter - 206 to 127.5mm Alloy/Rubber	£146.95
AIR FILTERS - FOAM		
	R01SE6090 Air Filter - for Sebring (435 x 152 x 66mm)	£62.39
	R01SE6091 Air Filter - for Sebring (435 x 152 x 96.5mm)	£62.39
2	R01SE0421 Air Filter - for Interlagos 425X,Y,Z/Hockenheim	£55.60
3	R01SE6009 Air Filter - fits Ultima GTR Air Box	£55.60
2	R01SE6017 Air Filter - for Can-Am (14"Dia x 3")	£69.79
10	R01SE0117 Alloy Neck Air Filter 76mm ID 150mm OD	£72.98
11	R01SE0084 Alloy Neck Air Filter 76mm ID 200mm OD	£79.00
12	R01SE0474 Oiled Filter for Zolder 65 100mm - Max:140hp	£28.34
13	R01SE0079 Oiled Dual Trumpet Filter Sock 45 DCOE/DHLA	£34.99
14	R01SE0080 Oiled Trumpet Filter Sock ID 90 x 100mm	£22.95
15	R01SE0081 Oiled Trumpet Filter Sock Pair fits 40-50 DCOE	£34.99
16	C01SE6007 Cone Filter - 152mm (6") (for Filter Adaptors)	£52.49
17	R01SE0003 Cone Filter - 152mm (6") (Plain Radius Entry)	£52.49
AIR FILTERS - ITG		
18	R01SE6178 for Hock. 405 (98mm Int. Height)	£167.99
19	R01SE6183 for Hock. 405 Double Filter (98mm Int. Height)	£208.95
18	R01SE6173 for Hock. 422 (98mm Int. Height)	£129.95
20	R01SE6172 for Hock. 422 (160mm Int. Height)	£136.45
18	R01SE6166 for Zolder 112/150 (70mm Int. Height)	£136.45
18	R01SE6212 for Zolder 6Cyl (85mm Int. Height)	£156.45
AIR FILTER ACCESSORIES		
21	R01SE6100 K&N 99-5000 Filter Care Service Kit	£24.14
22	R01SE6104 Pipercross Air Filter Cleaning Kit (C8999)	£20.99
23	R01SE6103 Pipercross Crank Case Breather Filter (C9023)	£34.60
24	R01SE6101 Pipercross Crank Case Breather Filter (C9024)	£29.39
25	R01SE6102 Pipercross Crank Case Breather Filter (C9025)	£34.60
	R01SE0545 S/Steel Mounting Clamp 158-164 x 6.0mm	£7.30
	R01SE0605 S/Steel Mounting Clamp 215mm x 6.0mm	£7.30



ADAPTORS, PIPES & TRUMPETS

Part No. AIR INTAKE FILTER ADAPTORS

Part No.	Description	£ (Ex. VAT)
1 R01SE0298	Y Splitter - 152mm Inlet 2 x 100mm Outlets	£166.95
2 R01SE0303	152mm 45deg Inlet 100mm Outlet	£135.45
3 R01SE0348	Blank Plate - 152mm	£73.45
4 R01SE0472	End Cap 152mm 90deg Inlet, 100mm Outlet	£124.95
5 R01SE0350	Y-Splitter - 152mm to 2 x 58mm Outlets	£156.98
R01SE0349	Y-Splitter - 152mm to 58/75mm Outlets	£156.98
R01SE0297	Y-Splitter - 152mm to 2 x 75mm Outlets	£166.95
6 R01SE0222	Silverstone Diffuser Cone 2 x 58mm Ducts	£167.99
7 R01SE0007	Silverstone Diffuser Cone 3 x 58mm Ducts	£167.99
8 R01SE0224	Silverstone Diffuser Duct 1 x 58/75mm Ducts	£167.99

AIR INTAKE FILTER REDUCER

9 R01SE6130	100mm to 75mm Outlet, Alloy	£41.99
10 R01SE6026	152 to 58/75/100mm Stepped, Alloy	£62.99
11 R01SE0175	152 to 58/75/100mm Stepped Carbon Flat	£124.95
12 R01SE0136	152 to 58/75/100mm Stepped Carbon Taper	£124.95
13 R01SE6093	152 to 70mm Outlet, Alloy	£62.99
13 R01SE6082	152 to 75mm Outlet, Alloy	£62.99
R01SE6033	152 to 75/100mm Stepped, Alloy	£62.99
R01SE6150	152 to 85mm Outlet, Alloy	£62.99
R01SE6034	152 to 100mm Stepped, Alloy	£62.99
13 R01SE6084	152 to 100mm Outlet, Alloy	£62.99
13 R01SE6145	152 to 127.5mm Outlet, Alloy	£63.99
14 R01SE6225	206 to 85mm Outlet, Anodised Alloy	£73.49
15 R01SE6223	206 to 100mm Outlet, Anodised Alloy	£73.49
16 R01SE6221	206 to 127.5mm Outlet, Anodised Alloy	£73.49
17 R01SE6231	206 to 152mm Outlet, Anodised Alloy	£73.49
18 R01SE6233	206 to 152mm Outlet, Anodised Alloy, Flat	£73.49

AIR INLET PIPES/DUCTS

19 R01SE0043	58mm - 45deg Angle Outlet	£62.95
20 R01SE0057	58mm - 90deg Elbow Outlet	£64.95
21 R01SE0042	58mm - Straight Outlet	£62.95
R01SE6072	75mm - Straight Outlet	£62.95
22 R01SE6095	75mm to 58mm - Alloy	£41.99
23 R01SE0249	75mm - 105 x 38mm Oval Inlet	£69.95
19 R01SE0045	75mm - 45deg Angle Outlet	£66.10
24 R01SE0250	75mm - 45deg, 15deg (Down) Oval Outlet	£69.95
R01SE0266	75mm - 45deg, 15deg (Up) Oval Outlet	£69.95
20 R01SE0058	75mm - 90deg Elbow Outlet	£69.50
21 R01SE0044	75mm - Straight Outlet	£66.10
25 R01SE0062	75mm - 2 x Y-Split 58mm Outlets	£83.99
26 R01SE0372	75mm - 140 x 40mm Rectangular Outlet	£156.98
19 R01SE0164	100mm - 45deg Angle Outlet	£69.95
24 R01SE0466	100mm - 45deg, 15deg (Down) Oval Outlet	£69.95
R01SE0467	100mm - 45deg, 15deg (Up) Oval Outlet	£69.95
27 R01SE0500	100mm - 90deg Elbow Centre Radius Outlet	£79.90
20 R01SE0165	100mm - 90deg Elbow Outlet	£79.90
23 R01SE0468	100mm - Oval Outlet	£69.95
21 R01SE0163	100mm - Straight Outlet	£69.95
26 R01SE0304	100mm - Outlet 140 x 40mm Rectangular	£156.98
9 R01SE6152	100mm to 85mm - Alloy	£41.99
23 R01SE0541	127.5mm - Oval Outlet	£69.95
28 R01SB0016	152mm - Connector	£66.10
32 R01SE0305	152mm - 280 x 60mm Rectangular Outlet	£198.45

AIR INTAKE TRUMPETS

30 R01SE6070	58mm Straight Outlet Alloy	£41.99
31 R01SE0386	58mm Outlet Carbon, fits Lotus S1 Front Clam	£88.19
31 R01SE0387	75mm Outlet Carbon	£91.34
29 R01SE6004	75/100mm Outlet Alloy	£39.89
30 R01SE6154	85mm Outlet Alloy	£41.99
30 R01SE6074	100mm Straight Outlet Alloy	£41.99
31 R01SE0388	100mm Straight Outlet Carbon	£94.49
30 R01SE6204	127.5mm Straight Outlet Alloy	£41.99



DUCTING & OTHER ACCESSORIES



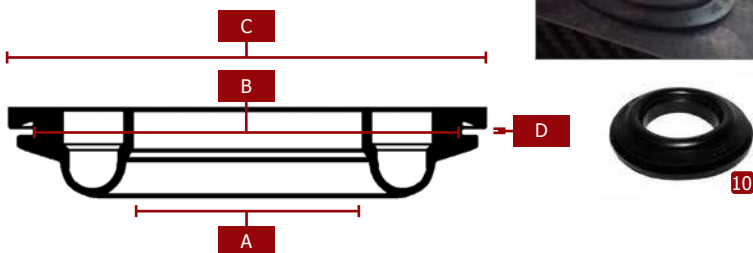
FUEL RAIL SPACERS

Carbon Fibre fuel rail spacers available to bond on Hockenheim 354, 405, 422, 585, 605, Sebring and Interlagos air boxes. Backplate fuel rail spacers aid fitment by increasing air box volume whilst still allowing the air box to clear the fuel rail. Available in various depths. The Silverstone air box LH/RH 20mm backplates ([page 18](#)) and Hockenheim 422MAX have 50/80mm backplates ([page 9](#)).



RUBBER GROMMETS

The rubber grommets provide a good seal of the air box back plate against the air intake trumpet wall allowing position along the trumpet, then support the air box with custom made brackets



Available in 4 x different sizes;

PART #	A (Dia.)	B (Panel Hole)	C (O.D.)	D (Depth)
R01SE6143	1.755"	2-7/8"	3-3/8"	0.05 - 0.125"
R01SE6142	1.870"	3"	3-1/2"	0.05 - 0.125"
R01SE6141	1.985"	3-1/8"	3-5/8"	0.05 - 0.125"
R01SE6140	2.100"	3-3/8"	3-3/4"	0.05 - 0.125"

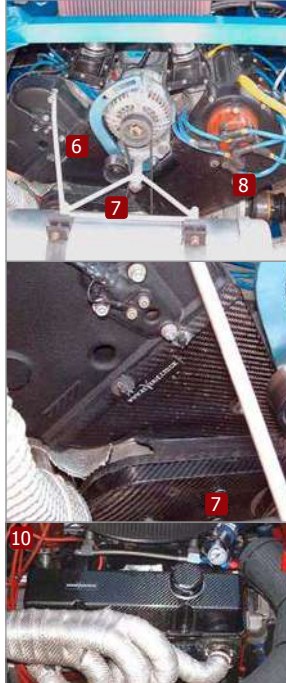
Part No.	DUCTING - CARBON	£ (Ex. VAT)
1 R01SE0410	100mm OD x 1m Long (1mm Thick)	£145.95
2	DUCTING HOSE - FLEXIBLE	
R01SE6205	51mm (2") x 1m	£59.65
R01SE6206	127mm (5") x 1m	£73.45
R01SE0005	152mm (6") x 1m	£94.49
3 R01SE6065	Flexible Hose Adaptor - 100-75mm, Rubber	£39.95
4	DUCTING HOSE - MICROPORE (NOISE REDUCING)	
R01SE0006	58mm Bore x 1m	£64.95
R01SE0085	75mm Bore x 1m	£79.95
R01SE6157	85mm Bore x 1m	£82.95
R01SE0130	100mm Bore x 1m	£85.50
	DUCTING HOSE - SILICONE	
R01SE0235	60mm Bore x 100mm Length	£19.95
R01SE0236	60mm Bore x 300mm Length	£30.98
5 R01SE0234	60mm Bore x 55mm Length	£14.69
6 R01SE0232	60mm Bore, 45deg Angle	£26.20
7 R01SE0233	60mm Bore, 90deg Angle	£26.20
R01SE0238	76mm (3") Bore x 100mm Length	£19.95
R01SE0239	76mm (3") Bore x 300mm Length	£30.98
R01SE0208	76mm (3") Bore x 55mm Length	£14.69
R01SE0207	76mm (3") Bore, 45deg Angle	£31.49
R01SE0237	76mm (3") Bore, 90deg Angle	£28.30
R01SE0243	102mm (4") Bore x 100mm Length	£22.48
R01SE0244	102mm (4") Bore x 300mm Length	£38.80
R01SE0242	102mm (4") Bore x 55mm Length	£15.74
R01SE0240	102mm (4") Bore, 45deg Angle	£48.25
R01SE0241	102mm (4") Bore, 90deg Angle	£48.25
R01SE6020	Straight Reducer - 102 (4") to 76mm (3")	£33.95
8 R01SE6019	Straight Reducer - 76 (3") to 63mm (2.5")	£33.95
9	FUEL RAIL SPACERS (BOND ON AIR BOX BACKPLATE)	
R01SE0404	Hockenheim 354 L300mm x D20mm	£93.45
R01SE0405	Hockenheim 354 L300mm x D40mm	£93.45
R01SE0423	Hockenheim 354 L300mm x D60mm	£93.45
R01SE0402	Hockenheim 405 L380mm x D20mm	£93.45
R01SE0403	Hockenheim 405 L380mm x D40mm	£93.45
R01SE0398	Hockenheim 422/Sebring/Interlagos - D20mm	£93.45
R01SE0399	Hockenheim 422/Sebring/Interlagos - D40mm	£93.45
R01SE0424	Hockenheim 422/Sebring/Interlagos - D60mm	£93.45
R01SE0400	Hockenheim 585 L570mm x D20mm	£93.45
R01SE0401	Hockenheim 585 L570mm x D40mm	£93.45
R01SE0431	Hockenheim 585 L570mm x D60mm	£93.45
R01SE0406	Hockenheim 605 L580mm x D20mm	£93.45
R01SE0407	Hockenheim 605 L580mm x D40mm	£93.45
10	RUBBER TRUMPET GROMMETS	
R01SE6143	1.875" - 2.000", 2-7/8" Panel Hole (1875)	£10.90
R01SE6142	2.000" - 2.250", 3" Panel Hole (2000)	£10.90
R01SE6141	2.125" - 2.500", 3-1/8" Panel Hole (2125)	£10.90
R01SE6140	2.250" - 2.375", 3-1/4" Panel Hole (2250)	£10.90
11	S/STEEL WORM DRIVE HOSE CLIPS	
C01SW6007	50 - 70mm	£3.75
C01SW6008	70 - 90mm	£3.85
C01SW6009	90 - 110mm	£3.95
R01SW6511	126 - 146mm, W12mm	£5.95
R01SW6202	150 - 170mm, W12mm	£5.95
12	THROTTLE BODY CONNECTOR	
R01SE6052	75-68mm - fits Rover K-Series Engine, EPDM	£31.45





BATTERY BOXES, CAM/ENGINE COVERS

Our Autoclaved Carbon Fibre battery boxes feature an internal steel plate in the base of the box to meet FIA regulations. Also suits flat-mounted DMS 8, 15, 20, 25, 30, 40, 70 batteries



Part No.	BATTERY BOXES	£ (Ex. VAT)
1	R01SY0011 L250mm x W180mm x D215mm Vertical Type	£240.45
2	R01SY0009 FIA L250 x W300 x D140mm (for Red Top DMS)	£292.45
3	R01SY0012 FIA Std. S/Steel Battery Clamp Strap Kit	£27.29
CAM/OIL BELT/ROCKER COVERS (CARBON FIBRE)		
4	R01SE0289 Ford Cosworth YB Series (Full) Cam Belt Cover	£229.95
5	R01SE0291 Ford Cosworth YB Series (Top) Cam Belt Cover	£187.95
6	R01SE0183 MG Metro 6R4 Carbon Fibre LH Cam Belt Cover	£179.00
7	R01SE0185 MG Metro 6R4 C/Fibre Oil Belt Cover (With Dome) Lower LH	£179.00
8	R01SE0184 MG Metro 6R4 Carbon Fibre RH Cam Belt Cover	£179.00
9	R01SE0194 Vauxhall/Opel C20XE/C20LET (2.0 16v) Cam Belt Cover	£208.95
10	R01SE0254 Ultima GTR/Chevrolet 350 V8 Enigne Rocker Cover - Pair	£628.95
ENGINE COVERS/HEAT SHIELDS		
11	R01SE0290 Ford Cosworth YB Series Turbo Heatshield	£313.95
12	R01SE0509 Lotus Elise S1 111S (VVC) Full Engine Rocker Cover	£292.95
	R01SE0508 Lotus Elise/Exige S1/340R Full Engine Rocker Cover	£292.95
13	R01SE0637 Lotus Exige S3 V6 Front Engine Cam Cover	£355.95
14	R01SE0638 Lotus Exige S3 V6 Rear Engine Cam Cover	£355.95
15	R01SE0169 Rover K-Series (Early) Engine Spark Plug Cover Insert	£159.00
16	R01SE0295 Rover K-Series Engine Rocker Cover - for Elise S2 111S	£303.45
17	R01SE0135 Rover K-Series Engine Rocker Cover - Non-Elise S2 111S	£292.95
18	R01SE0283 Toyota 2ZZ-GE (1.8L) VVTi (N/A) Engine Cover	£179.00
19	R01SE0284 Toyota 2ZZ-GE (1.8L) VVTi Spark Plug Cover	£189.00
20	R01SE0441 Toyota VVTi Engine Cover for Lotus Supercharged Cars	£189.00
21	R01SE0299 Vauxhall Z20LET (2.0 16v Turbo) Spark Plug Cover (VX220)	£188.99
22	R01SE0193 Vauxhall/Opel C20XE/C20LET (2.0 16v) Spark Plug Cover	£169.00
23	R01SE0192 Vauxhall/Opel X14XE/X16XE/C16XE Engine Rocker Cover	£188.99
24	R01SE0286 Vauxhall/Opel X18XE1 (1.8 16v) Engine Cam/Rocker Cover	£223.64



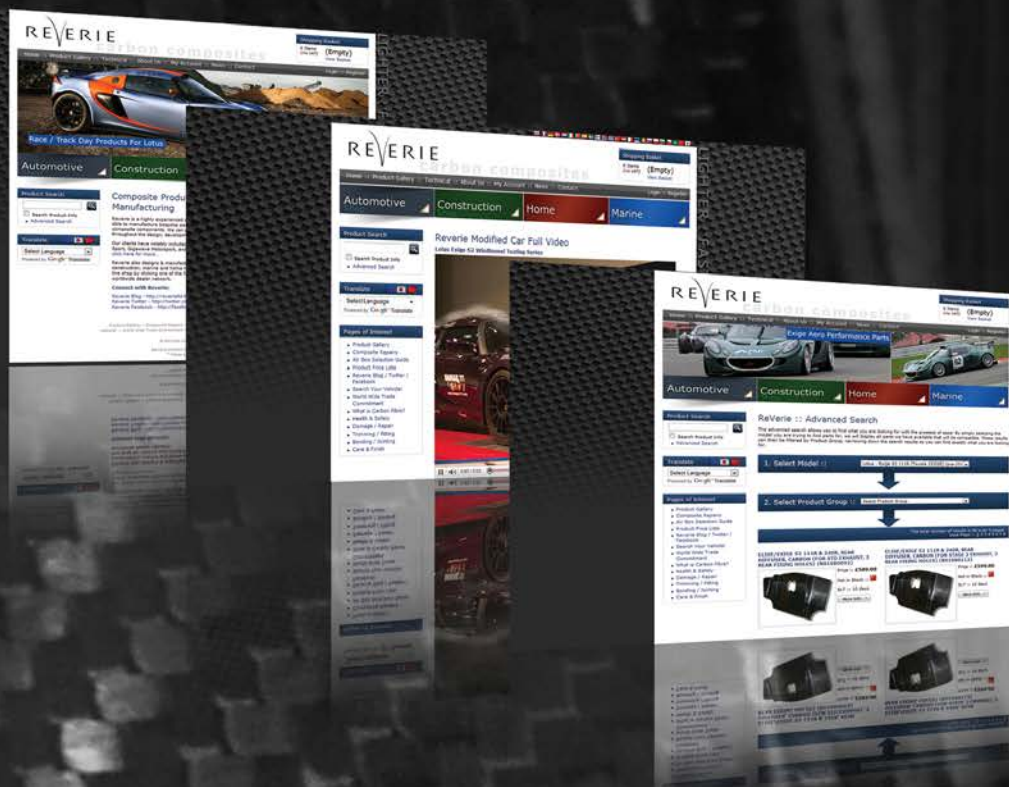
C14XE Cam Cover on Corsa 1.4L



Chevrolet V8 Rocker Covers



FIA Battery Box in BTCC



VISIT WWW.REVERIE.LTD.UK FOR WORLDWIDE DEALERS

Download latest prices, technical data, drawings and digital versions of our brochures for free.
Advanced search function available to show all parts that are compatible with your car.

AUTHORISED DEALER STAMP


Reverie Limited
Unit 2 Chandlers Row
Colchester
Essex
CO1 2HG
UK

WARNING! MOTORSPORT OR DRIVING CAN BE DANGEROUS RESULTING IN DEATH OR PERSONAL INJURY. READ OUR FITTING INSTRUCTIONS CAREFULLY Reverie automotive products are for "motorsports use only". We cannot be held responsible for misuse of our products. This article is sold without warranty expressed or implied. No warranty or representation is made as to this product's ability to protect the user from injury or death. The user assumes that risk. The effectiveness, warranty and longevity of this equipment are directly related to the manner in which it is **INSTALLED, USED, and/or MAINTAINED. THE USER ASSUMES THE RISK.** Fitment of Reverie products to automobiles that are subject to a manufacturer's warranty **MAY VOID THE MANUFACTURER'S WARRANTY AND THE VEHICLES ABILITY TO MEET EMISSION OR OTHER TRANSPORT REGULATIONS.** By purchasing this product and/or opening the packaging, users / purchasers expressly acknowledge, understand and agree that they take , select and purchase these REVERIE products from REVERIE, its affiliates, distributors, and agents (collectively, REVERIE) "as is" and "with all faults". The entire risk as to the quality and performance of these REVERIE parts is with the purchasers. Should the goods prove defective following their purchase; the purchasers assume the entire cost for all necessary servicing or repair or any resulting liability. Working on your car can be a dangerous activity. If you are unsure of what you are doing, please leave mechanical or Safety critical work to a skilled mechanic. We take no responsibility for the incorrect use and / or installation of REVERIE products. If this Carbon fibre product is exposed to sunlight / UV then it should be regularly UV coated with Armour-all protect ant or sanded and 2k clear lacquered. Prolonged exposure to UV will 'yellow' the epoxy and lead to slow deterioration of structural performance (more info available on our web site or on request).

Web: www.reverie.ltd.uk
 Email: sales@reverie.ltd.uk
 Tel: +44 (0)1206 866663
 Tech Sales: +44 (0)1206 913465
 Accounts: +44 (0)2081 235997
 VOIP: +44 (0)1206 868144
 Skype: +44 (0)2081 235997



Copyright © 2020 Reverie Ltd - Version: 0006

reverie_composites 
facebook.com/reverieltd
twitter.com/reverieltd
instagram.com/reverieltd

REVERIE

LIGHTER | FASTER | STRONGER