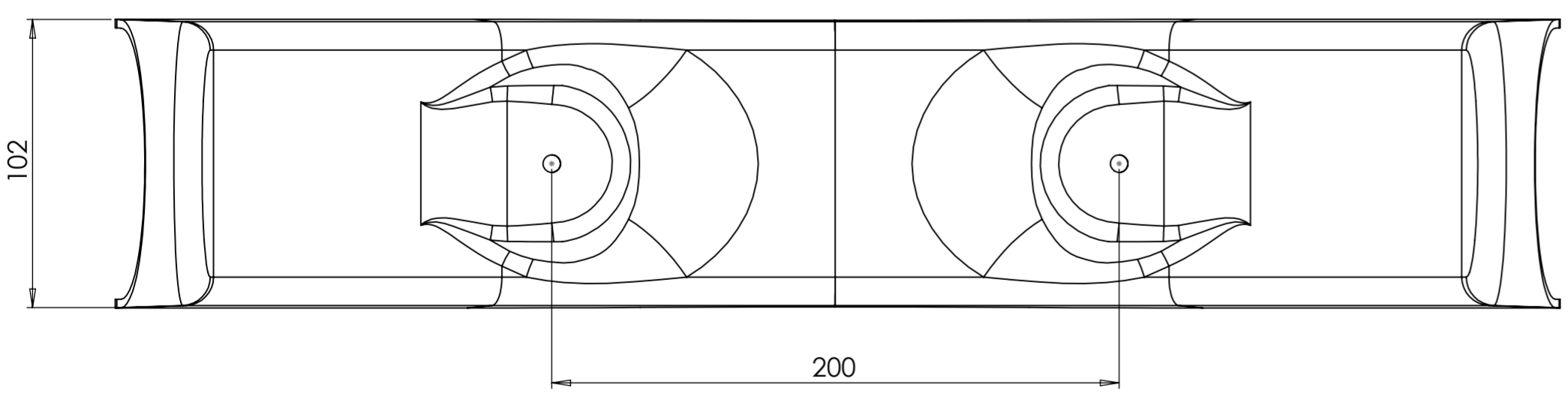
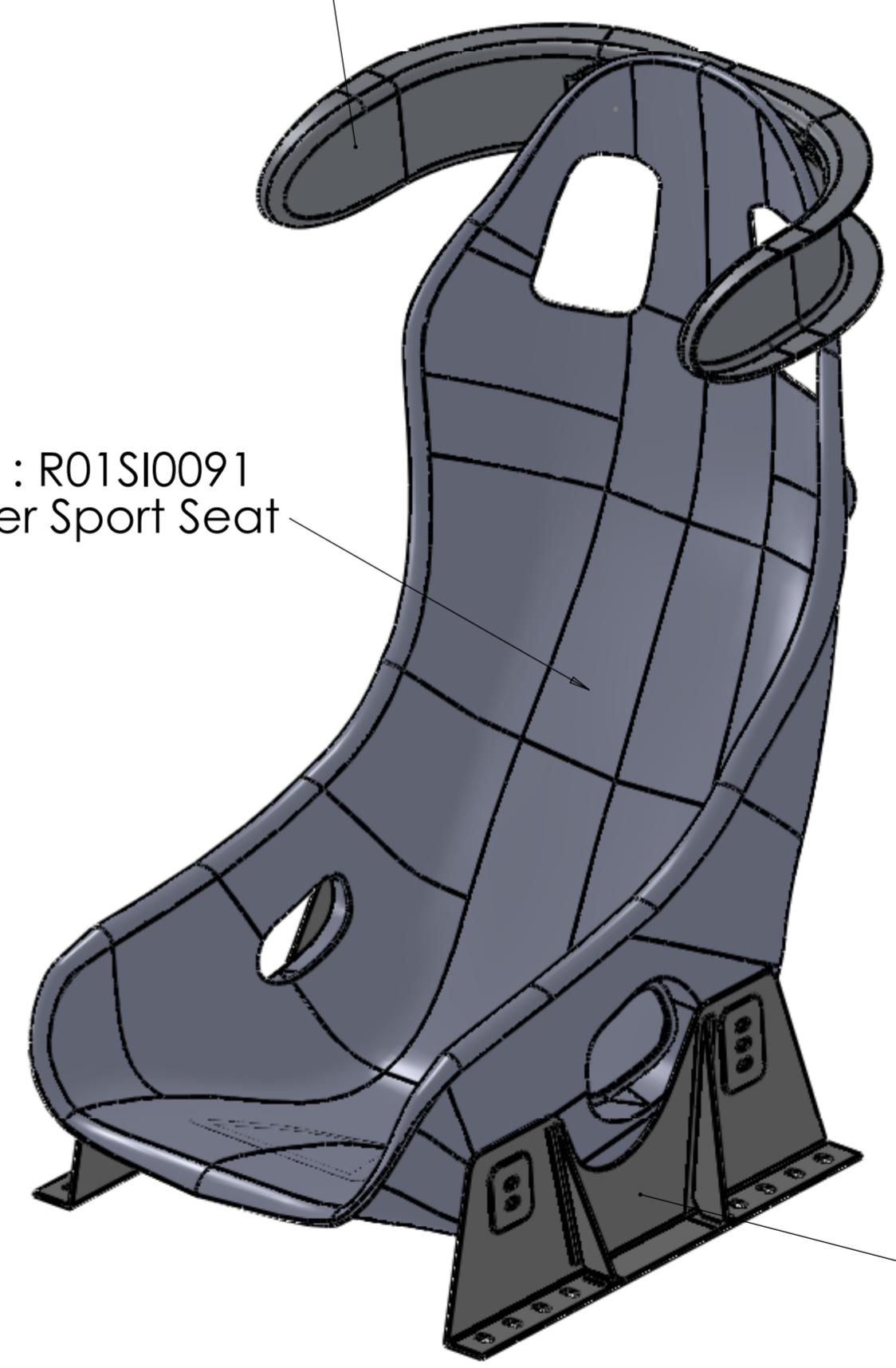



Part : R01SI0094  
Super Sport Seat Bolt on  
Head Restraint



Part : R01SI0091  
Super Sport Seat



Part : R01SI0096  
Composite Seat  
Subframe

Production\Quality Sign off: Matthew Harwood	ISSUE	DESCRIPTION	INITIALS	E.C.N. No	DATE	ALL DIMENSIONS IN MILLIMETERS			REMOVE ALL BURRS AND SHARP EDGES UNLESS OTHERWISE STATED	 Reverie Limited Unit 2 Chandlers Row Colchester Essex CO1 2HG 01206 866663 www.reverie.ltd.uk	DRAWN CA	APP	TITLE
Costing\Specification Sign off: Simon Farren	1	ORIGINAL ISSUE	CA		28/02/2013	TOLERANCES (AT 20C) UNLESS OTHERWISE STATED NOMINAL LINEAR DIMENSIONS OVER-INCL <math>-0.00</math> 0.00 0-200 $\pm 0.50$ $\pm 0.15$ 250-1000 $\pm 1.00$ $\pm 0.20$ 1000 PLUS $\pm 2.00$ $\pm 0.30$					HOLES TO BS4500 1985. THREADS TO BS3643 1981 METRIC COURSE. BSP THREADS TO BS 2779 MED FIT	DATE 28/02/2013 FINISH Polished SCALE Do Not Scale Drawing Weight	R01SI0094- Super Sport Seat bolt on head rest MATERIAL Carbon Fibre Matl.Sik Code DRG. No. R01SI0094