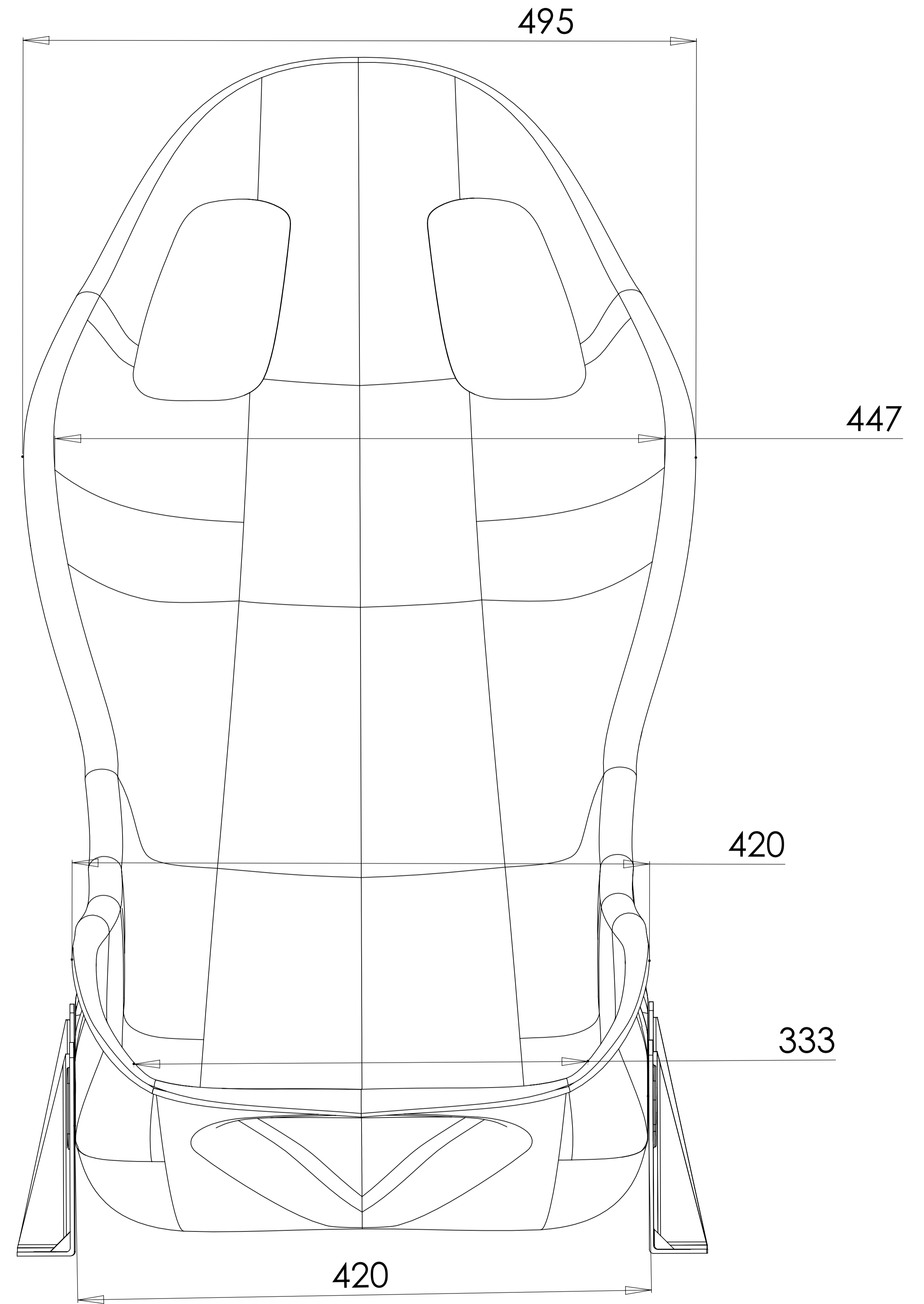
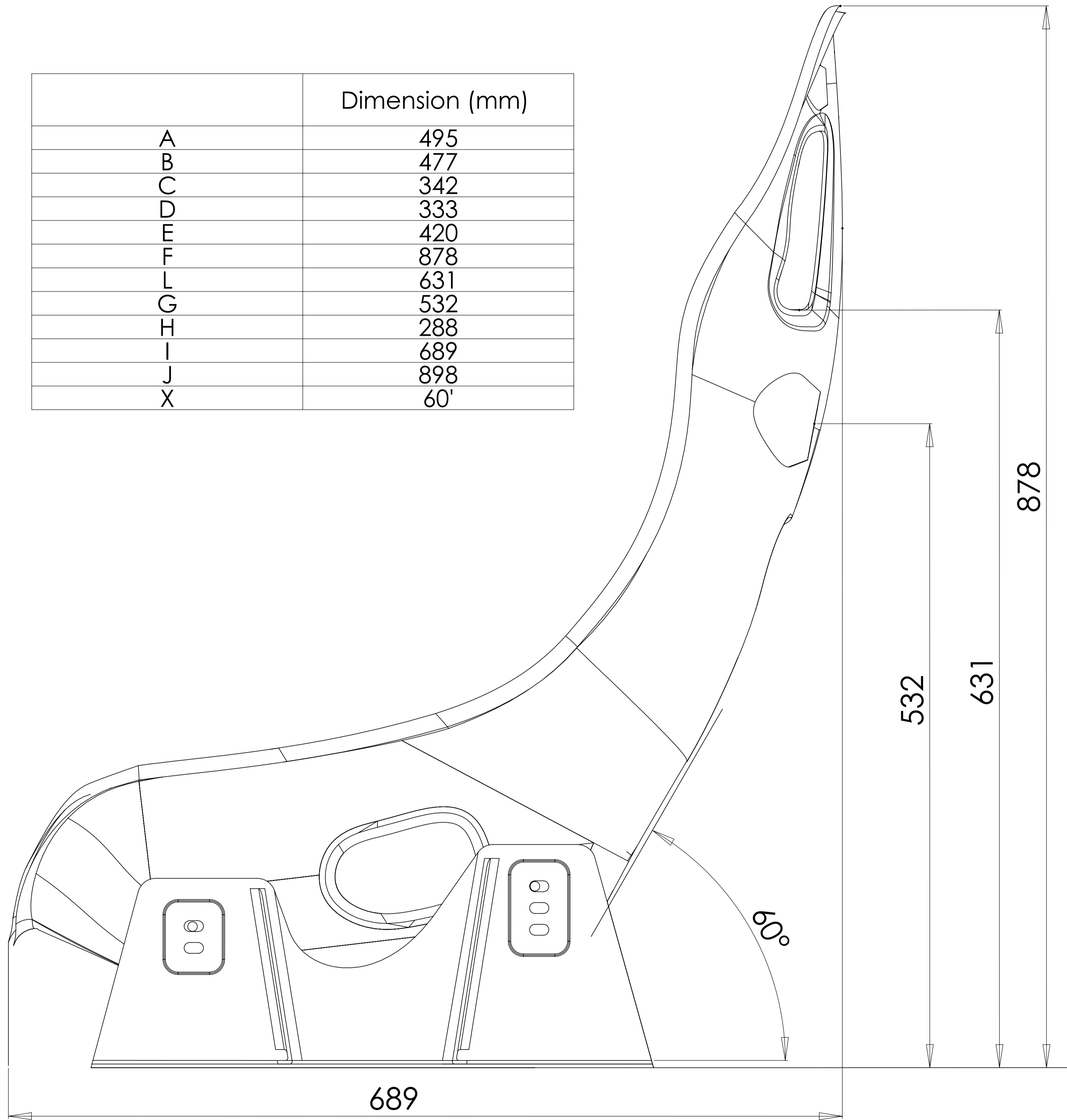


IF IN DOUBT ASK

INFORM DRAWING OFFICE OF ERRORS

	Dimension (mm)
A	495
B	477
C	342
D	333
E	420
F	878
L	631
G	532
H	288
I	689
J	898
X	60°



Production\Quality Sign off: Matthew Harwood
 Costing\Specification Sign off: Simon Farren

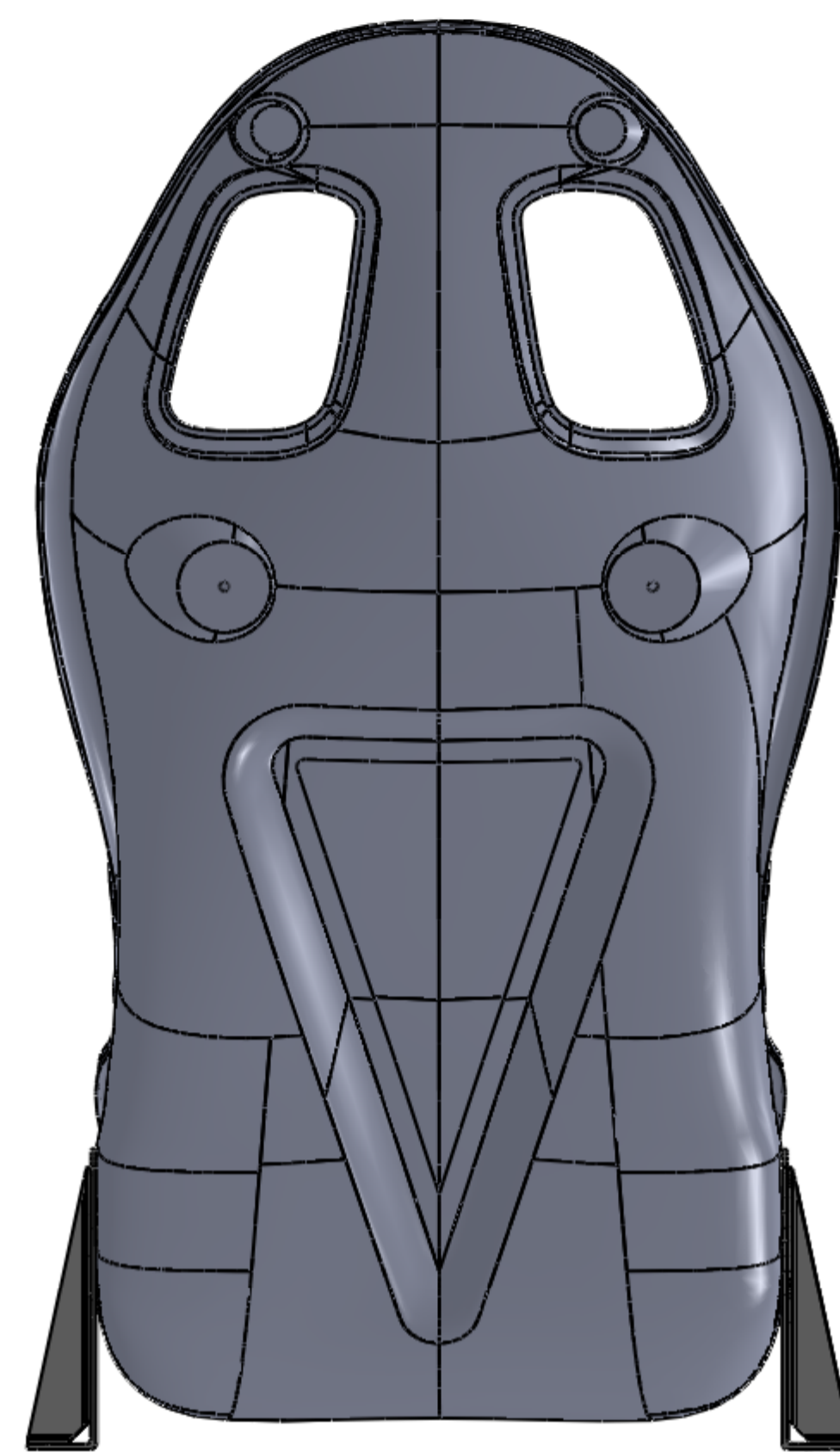
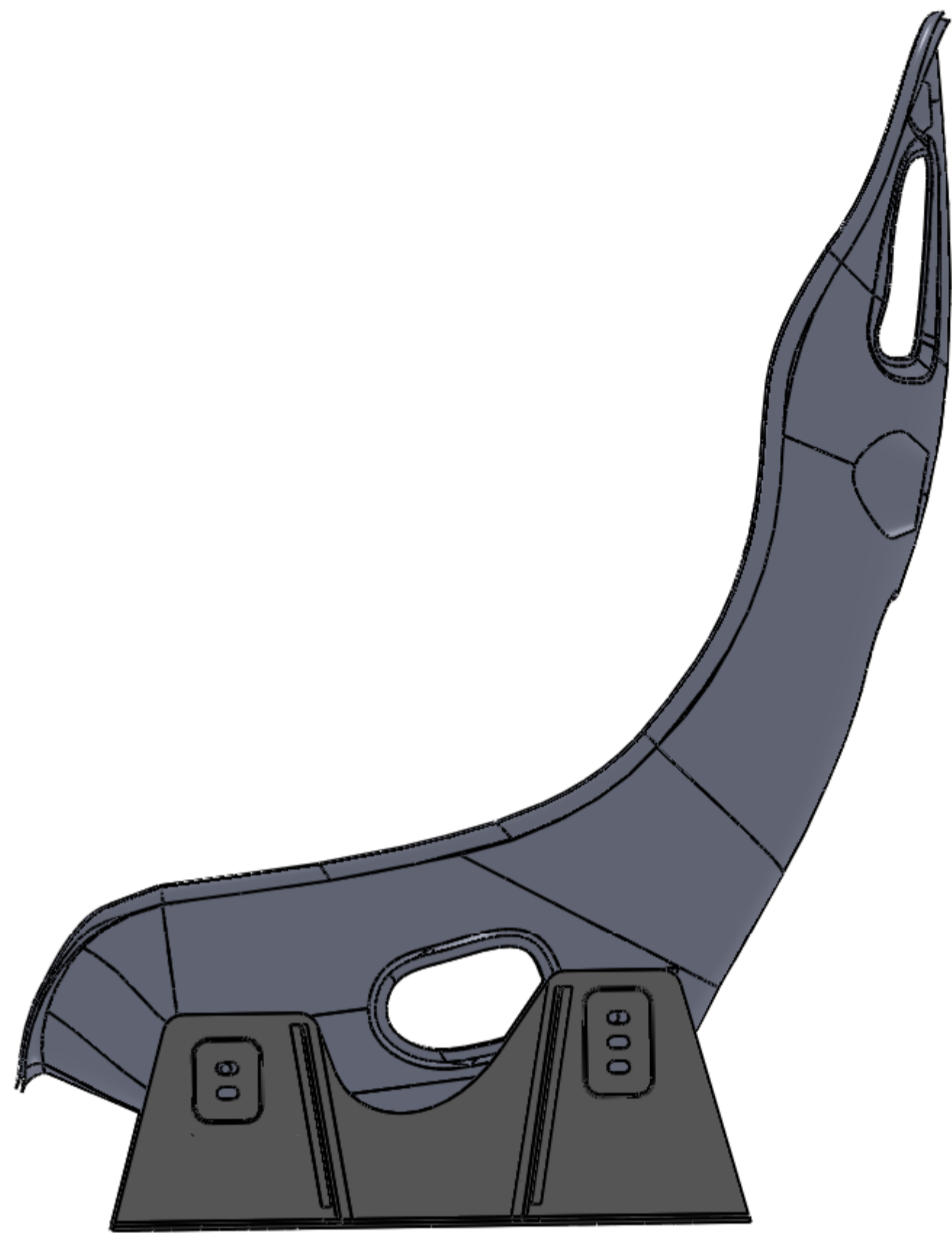
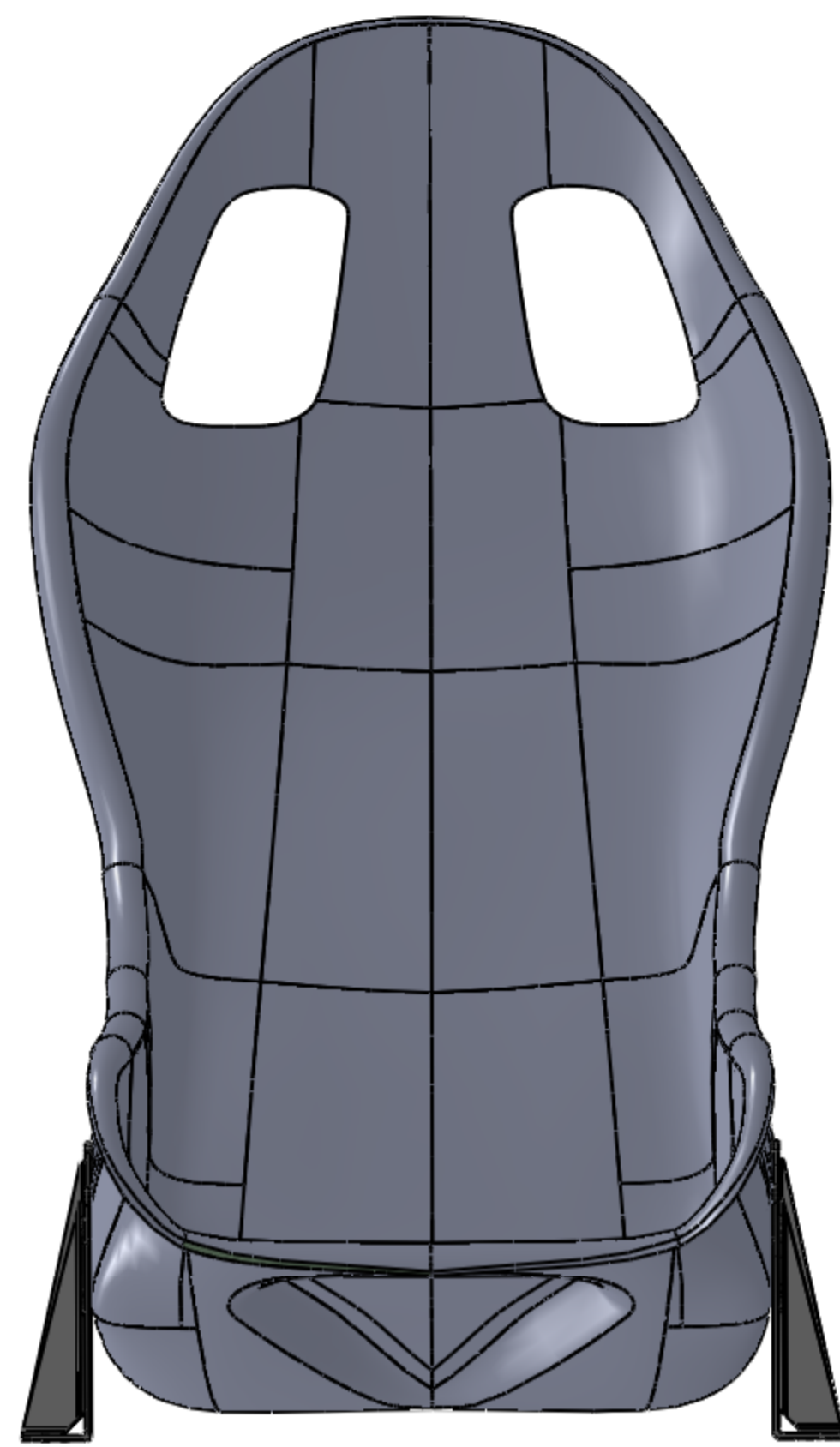
ISSUE	DESCRIPTION	INITIALS	E.C.N. No	DATE
1	ORIGINAL ISSUE	CA		26/02/2013

TOLERANCES (AT 20C) UNLESS OTHERWISE STATED			
NOMINAL LINEAR DIMENSIONS			
OVER-INCL	+0.00	0.00	
0-200	+/- 0.50	+/- 0.15	
250-1000	+/- 1.00	+/- 0.20	
1000 PLUS	+/- 2.00	+/- 0.30	

REMOVE ALL SURFS AND SHARP EDGES UNLESS OTHERWISE STATED
 HOLS TO BS4000 1985
 THREADES TO BS481 1981
 AMTRIC COARSE
 RSP THREADES TO BS 2779
 AND FIT
 THIS A DRAWING IS A PRIVATE AND CONFIDENTIAL COMMUNICATION

Reverie Limited
 Unit 2 Chandlers Row
 Colchester
 Essex
 CO1 2HG
 01206 866663
 www.reverie.ltd.uk

ALL DIMENSIONS IN MILLIMETERS A1 SHEET 1 OF 2
 DRAWN APP TITLE
 DATE 26/02/2013 R01SI0091 - Super Sport Twin Skin Seat J
 FINISH POLISHED MATERIAL CARBON FIBRE
 SCALE Do Not Scale Drawing Mat.Sk Code
 Weight DRG. No. R01SI0091



Production\Quality Sign off: Matthew Harwood

Costing\Specification Sign off: Simon Farren

ISSUE	DESCRIPTION	INITIALS	E.C.N. No	DATE
1	ORIGINAL ISSUE	CA		26/02/2013

TOLERANCES (AT 20C) UNLESS OTHERWISE STATED			
NOMINAL LINEAR DIMENSIONS			
OVER-INCL	+0.00	0.00	
0-200	+/- 0.50	+/- 0.15	
250-1000	+/- 1.00	+/- 0.30	
1000 PLUS	+/- 2.00	+/- 0.30	

REMOVE ALL SURFS AND SHARP EDGES UNLESS OTHERWISE STATED
 HOLES TO BE MADE IN ACC. TO BS4591:1985
 THREADS TO BE MADE IN ACC. TO BS4591:1985
 ESP. THREADS TO BS 2779 AND BS 2779

Reverie Limited
 Unit 2 Chanders Row
 Colchester
 Essex
 CO1 2HG
 01206 866663
 www.reverie.ltd.uk

ALL DIMENSIONS IN MILLIMETERS		A1	SHEET 2 OF 2
DRAWN	APP	TITLE	
DATE	26/02/2013	R01SI0091-Super Sport Twin Skin Seat	
SCALE	Do Not Scale Drawing	MATERIAL	Carbon Fibre
DRG. No.	R01SI0091		