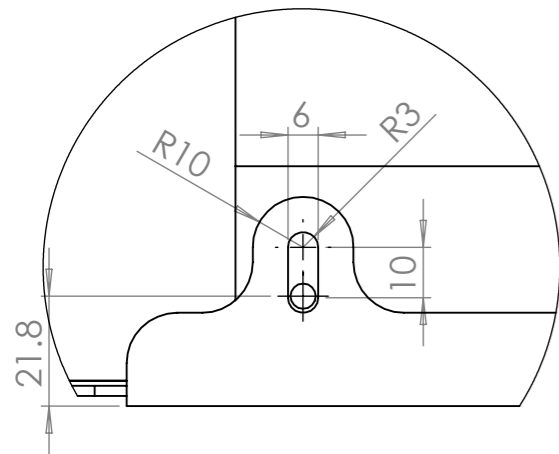
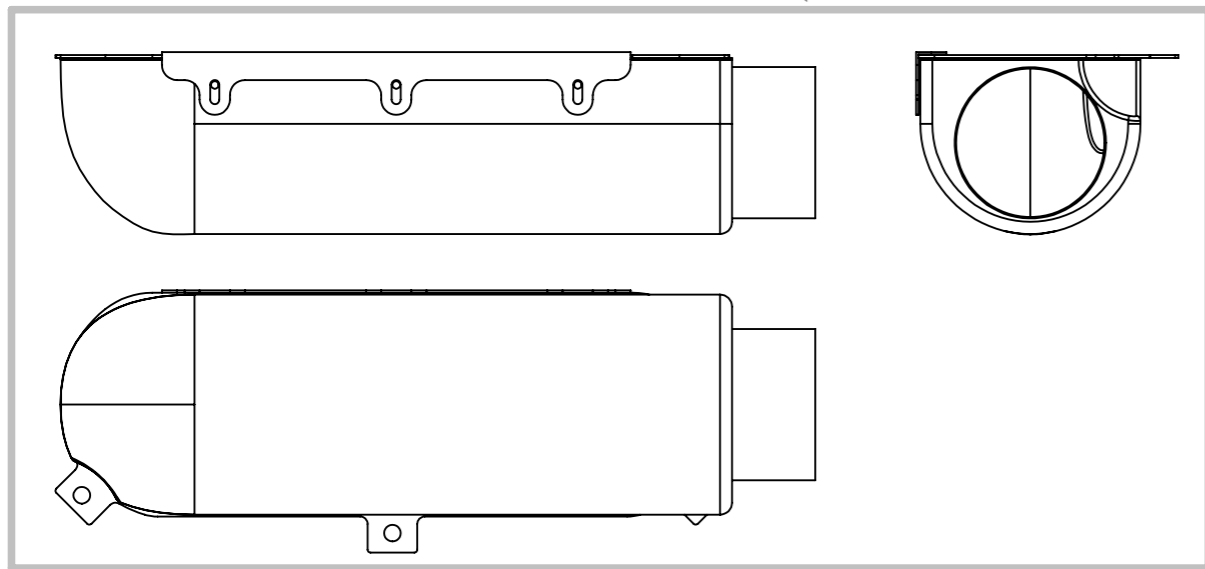
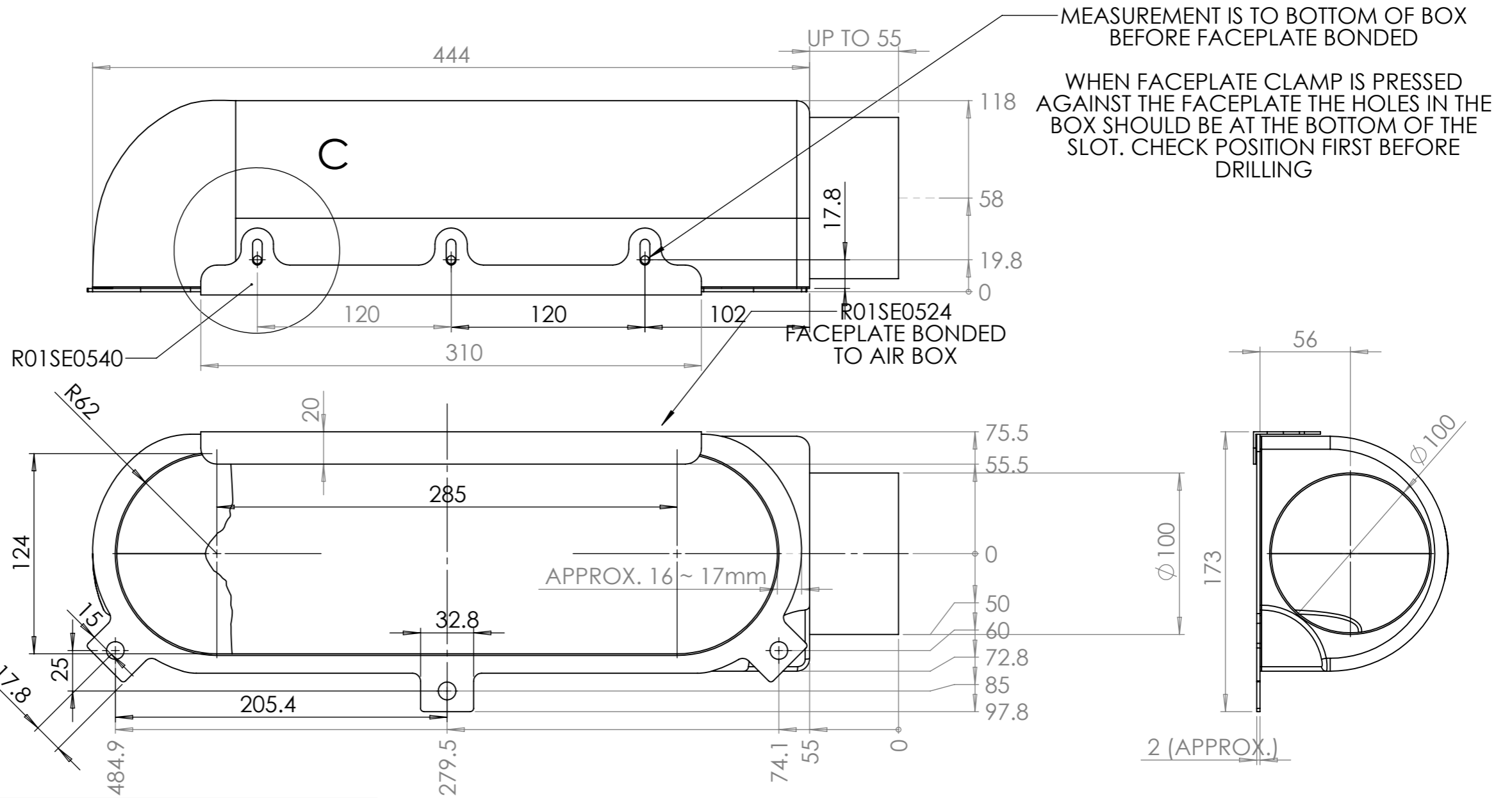


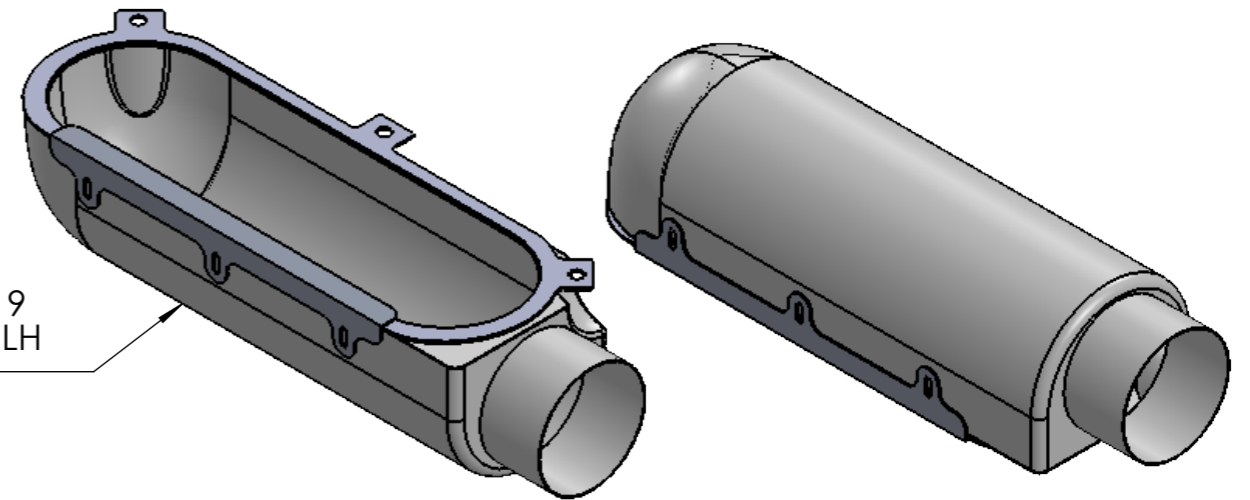
- NOTES:
- R01SE0518 RH - C/FIBRE
 - R01SE0519 RH - GRP
 - R01SE0520 LH - C/FIBRE
 - R01SE0521 LH - GRP
 - VOLUME: 5.7L



DETAIL C
SCALE 2:3



R01SE0518/R01SE0519
RH MIRRORED FROM LH
PART



PRODUCTION\QUALITY SIGN OFF:	SIMON FARREN	A3 SHEET 1 OF 2
COSTING\SPECIFICATION SIGN OFF:	SIMON FARREN	

ISS:	DESCRIPTION:	INITIALS:	E.C.N. NO:	DATE:
1	Original issue	JC		02/09/2020

ALL DIMENSIONS IN MILLIMETERS		
TOLERANCES (AT 20°C) UNLESS OTHERWISE STATED		
NOMINAL LINEAR DIMENSIONS	SURFACE FINISHES:	
OVER-INCL	< 0.00	0.00
0-200	+/- 0.50	+/- 0.15
250-1000	+/- 1.00	+/- 0.20
1000 PLUS	+/- 2.00	+/- 0.30
	ANG DIMS +/- 0.5°	

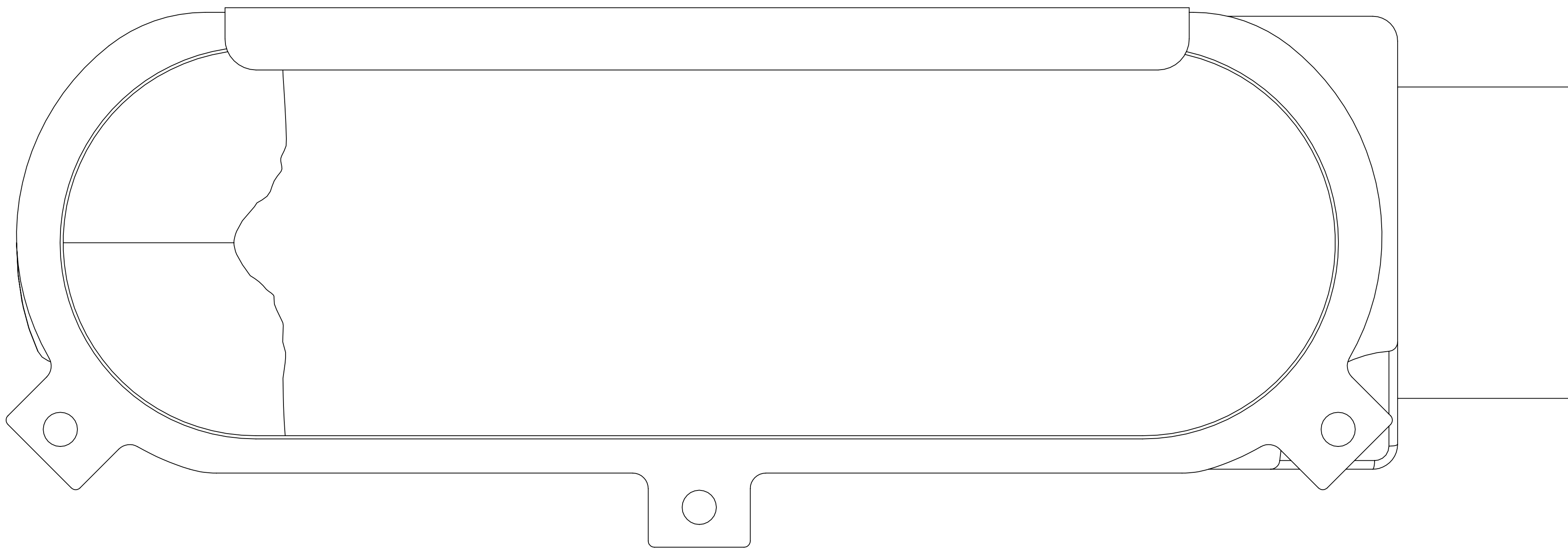
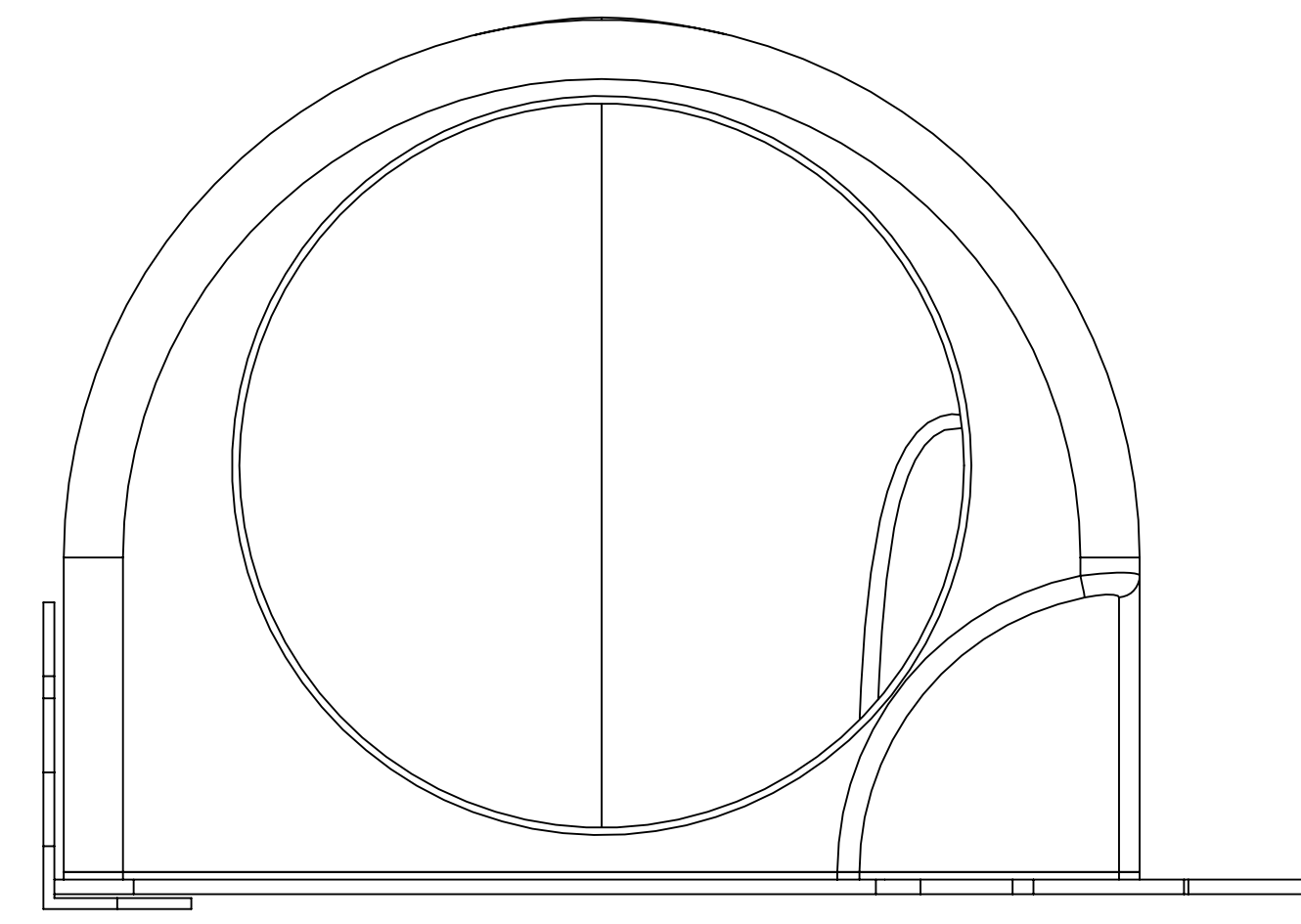
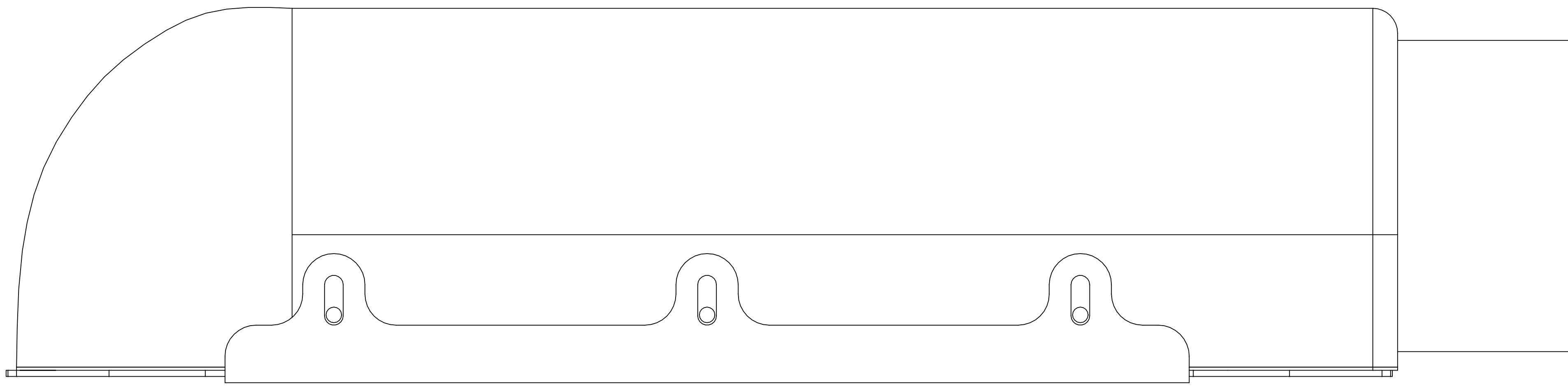
REMOVE ALL BURRS AND SHARP EDGES UNLESS OTHERWISE STATED
HOLES TO BS4500 1985.
THREADS TO BS3643 1981 METRIC COURSE.
BSP THREADS TO BS 2779 MED FIT
THIS A DRAWING IS A PRIVATE AND CONFIDENTIAL COMMUNICATION



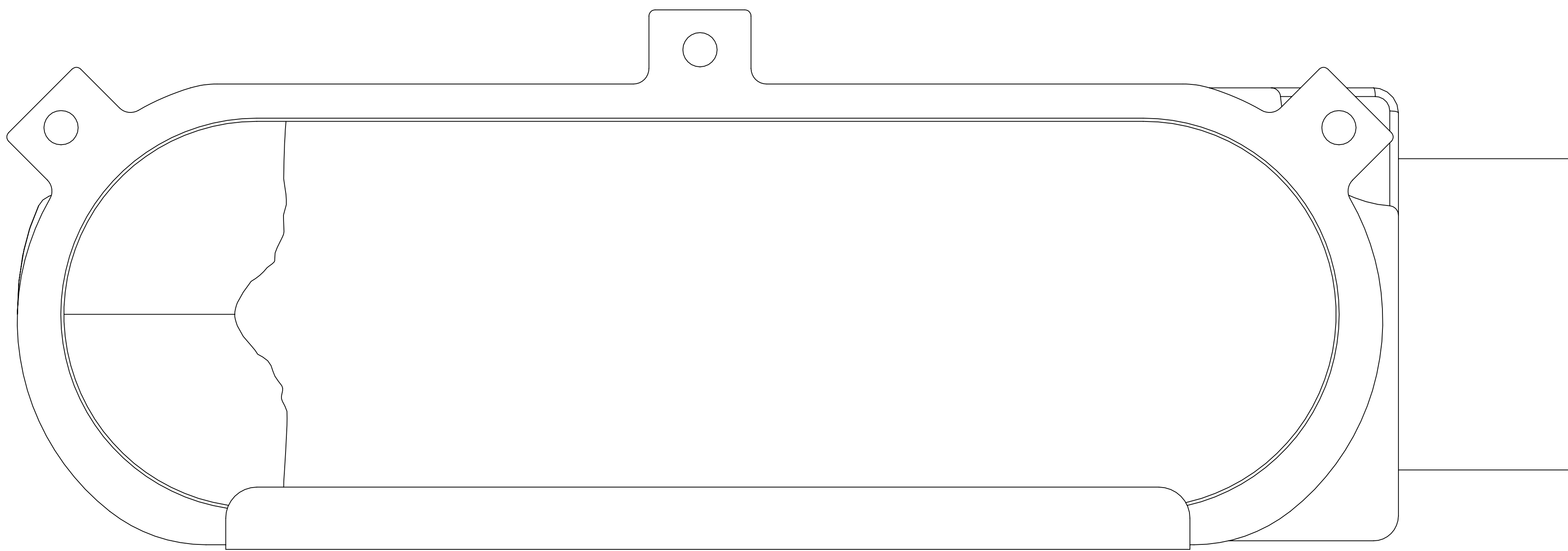
Reverie Ltd
Unit 2 Chandlers Row
Colchester
Essex
CO1 2HG
01206 866663
www.reverie.ltd.uk

DRAWN:	APP:
JC	
DATE:	
02/09/2020	
FINISH:	
SEE DRAWING	
SCALE:	
DO NOT SCALE	
WEIGHT: -	

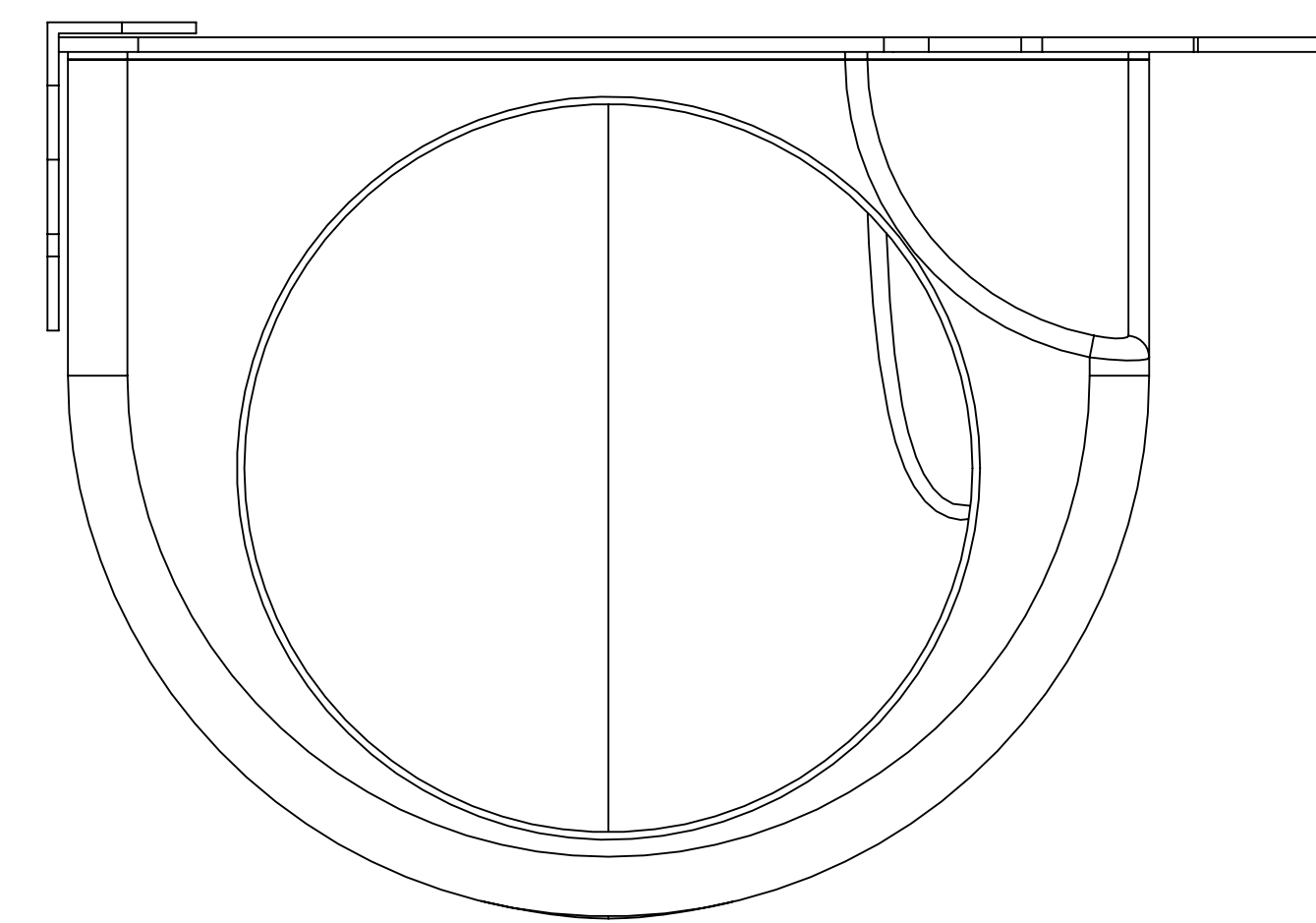
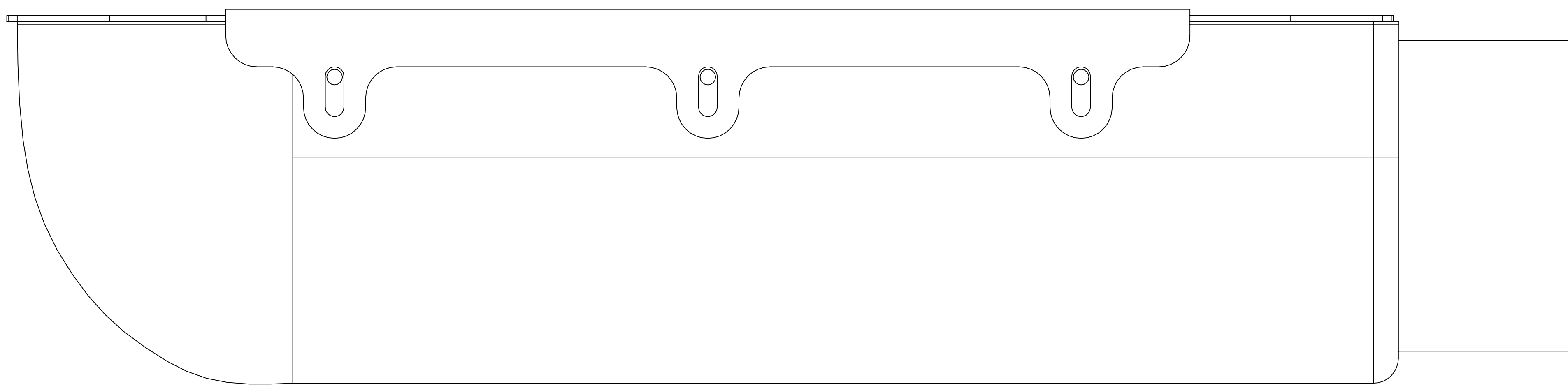
PART NO(S):	R01SE0518, R01SE0519, R01SE0520, R01SE0521
TITLE:	ZOLDER 112D RH & LH 100mm JC50
CUSTOMER:	N/A
MATERIAL:	SEE SHEET
INSPECTION GRADE:	A-1
PART QUALITY:	B
DRG. NO.:	SEE PART NO.S



R01SE0518/R01SE0519 RH



R01SE0520/R01SE0521 LH



1:1 100% SCALE