

MULSANNE B AND A340 SPEC DRIVERS SIDE SUB-FRAME CONVERSION KIT FITTING INSTRUCTIONS

FOR C111 TYPE SUB-FRAMES

**ELISE S1 (std), ELISE S2 (pre VIN:72400),
ELISE 111R (pre VIN:32403),
EXIGE S1 (std), EXIGE S2 (pre VIN:82395).**



Mulsanne B shown with side mount subframe
Also shown with R01SI0007 seat cushion trim kit.

INTRODUCTION

Mulsanne B is a single skin carbon/composite seat developed for applications where light weight and low cost are of priority. The front of the seat has a high quality Auto-clave moulded gloss finish.

This performance seat has been specifically developed for the Lotus Elise S1/S2/111R/Federal, Exige S1/S2, 340R and VX/VXR220 range of cars with tailored fitting kits to suit each model (when ordering you should state Lotus/Vauxhall model and chassis VIN no). Due to the compact dimensions of the seat it has also proven to be an ideal fitment to vehicles with limited cockpit space.

WARNING, MOTORSPORT OR DRIVING CAN BE DANGEROUS RESULTING IN DEATH OR PERSONAL INJURY. READ OUR FITTING INSTRUCTIONS CAREFULLY

This article is sold without warranty expressed or implied. No warranty or representation is made as to this product's ability to protect the user from injury or death. The user assumes that risk. The effectiveness, warranty and longevity of this equipment are directly related to the manner in which it is INSTALLED, USED, and/or MAINTAINED. THE USER ASSUMES THE RISK. Fitment of REVERIE PRODUCTS TO AUTOMOBILES THAT ARE SUBJECT TO A MANUFACTURER'S WARRANTY MAY VOID THE MANUFACTURER'S WARRANTY AND THE VEHICLES ABILITY TO MEET EMISSION OR OTHER TRANSPORT REGULATIONS. By purchasing this product and opening the packaging, purchasers expressly acknowledge, understand and agree that they take, select and purchase these REVERIE products from REVERIE, its affiliates, distributors, and agents (collectively, REVERIE) "as is" and "with all faults".

The entire risk as to the quality and performance of these REVERIE parts is with the purchasers. Should the goods prove defective following their purchase; the purchasers assume the entire cost for all necessary servicing or repair or any resulting liability. Working on your car can be a dangerous activity. If you are unsure of what you are doing, please leave mechanical or Safety critical work to a skilled mechanic.

We take no responsibility for the incorrect use and / or installation of REVERIE products.

WWW.REVERIE.LTD.UK

INDEX

PAGE

3	UV-PROTECTION
3	PART NUMBER IDENTIFICATION
4	C111 TYPE SUB-FRAME GENERAL INFORMATION
5	FITTING KIT CONTENTS
6	FITTING INSTRUCTIONS

Mulsanne B Fitment

Drivers Seat Fitment Requirements:

Mulsanne B Seat, Nylon spacer Kit ([R01SI0087](#)) - Required for:

All Standard Lotus and VX220 seat sub-frames require the Nylon spacer kit for installation of the Mulsanne B seat. regardless of 3-point seat belt or 3/4/5/6-point harness

Mulsanne B Seat, Drives Side Conversion Kit ([R01SI0081](#)-RHD, [R01SI0083](#)-LHD) - Required for:

Elise S1 (std), Elise S2 , Elise 111R , Exige S1 (std/sport), Exige S2 (std/sport) when using 3/4/5/6-point harnesses.

Passenger Seat Fitment Requirement: ([R01SI0085](#)-RHD, [R01SI0086](#)-LHD)

Our Mulsanne B Seat Requires the Reverie Mulsanne B Passenger Sub-frame Kit to fit in the passenger seat position for all vehicles. Compatible with both Std 3-point seat belt and 3/4/5/6-point harnesses.

UV-PROTECTION

Please Note Epoxy Pre-preg products are not UV stable. Texallium products are particularly liable and can yellow in only 2 – 6 weeks. The epoxy resin will 'yellow' with prolonged exposure to UV radiation and material strength properties will slowly deteriorate. We recommend exterior products or those exposed to constant UV are either colour painted or at least Lacquered. We use predominately 2K car lacquers of medium solids, the DBS range has been found very suitable, although people have had equally good results with Urethanes varnishes and epoxy clear coats.

The surface should be sanded with 180, 240 then 320 grit and a cleaning solvent used to remove grease or dirt prior to paint application. Several coats may be required (normally 3 to 4 light coats) to avoid pin-holing, common with painting composite products. Pin holes may be dubbed in carefully with a brush, then wet flatted for a final application of 3 thin coats. **Let air dry only**, you may stove the paint at 70'c once fully air dried.

PART NUMBER IDENTIFICATION

Reverie part numbers are in red eg **R01SI6002A**

Lotus part numbers are in green eg **A111V0012J**

C111 TYPE SUB-FRAME GENERAL INFORMATION

Reverie Ltd recommend The Elise S1 (std), Elise S2 (pre VIN:72400), Exige S1 (std) and Exige S2 (pre VIN:82395) type sub frame's should only be used with conventional type seat belts, and **not 4/5/6 point harnesses**, due to the single shear anchoring on the out side of the sub frame. However ReVerie Ltd manufactures a conversion kit that modifies the above mentioned drivers side sub frame's to 340R (type A340) spec, allowing the safe fitment of 4/5/6 point harnesses. The passenger side sub-frame should be replaced with the type A340 fixed sub frame when harnesses are to be used, A full passenger side type A340 sub-frame kit is available from ReVerie Ltd.

The owner should refer to the MSA blue book for the correct instillation of harnesses for competition.

Part Numbers

Elise S1(std), Elise S2 (pre VIN:72400)

Exige S1(std), Exige S2 (pre VIN:82395)

RHD C111V0012J Adjustable driver's side (std seatbelt only)

LHD C111V0011J Adjustable driver's side (std seatbelt only)

RHD C111V0013F Fixed passenger side (std seatbelt only)

LHD C111V0014F Fixed passenger side (std seatbelt only)

C111 to A340 spec sub-frame conversion kits

Drivers side conversion kit

RHD R01SI0081A

LHD R01SI0083A



Drivers side conversion kit shown

FITTING KIT CONTENTS

MULSANNE B AND A340 SPEC SUB-FRAME CONVERSION KIT TO C111 TYPE SUB-FRAMES

ELISE S1 (std), ELISE S2 (pre VIN:72400),

EXIGE S1 (std), EXIGE S2 (pre VIN:82395).

GREEN = CONVERSION KIT CONTENTS SUPPLIED BY ReVerie Ltd.

RED = RETAINED FROM OLD SEAT REMOVAL

Drivers side (double sheer conversion kit)

Rear

2 * Bolt cap head M8 * 10mm (12.9 spec)

2 * Washer penny M8

1 * Spacer spring

1 * Spacer spring

1 * Bolt Lotus spec double sheer (short) 7/16 * 38mm (R01SI6037A)

1 * Bolt Lotus spec double sheer (short) 7/16 * 38mm

1 * Spacer Lotus spec steel double sheer 7/16 (R01SI6047A)

1 * Spacer Lotus spec steel double sheer 7/16

Anchor

4 * M8*25mm button head bolts

2 * 10mm thick bracket-to-spar nylon spacer

Front

2 * Bolt cap head M8 * 20mm (12.9 spec)

2 * Washers small OD M8

2 * 10mm thick nylon cross member spacer, 9mm bore 25mm OD

Subframe

1 * Outside double sheer bracket (RHD=R01SI6042A LHD=R01SI6054A)

1 * Inside double sheer bracket (RHD=R01SI6041A LHD=R01SI6055A)

1 * Front slotted cross member (R01SI6040A)

FITTING INSTRUCTIONS

LOTUS SEAT AND SUB-FRAME REMOVAL

- A. Remove existing seats and sub frames from car by undoing the four bolts per sub frame attaching sub frames to chassis (retain bolts).
- B. Remove the seats from the sub frames by undoing the six retaining bolts, 2*M8 10mm bolts at the rear (discard), 1*7/16" hex-head outside seat belt bolt (discard), 1* Lotus spec shanked 7/16" inside seat belt bolt (retain), spacer (retain) and spring (retain), 2* M8 nuts underneath front of seat (discard).

FITTING MULSANNE SEAT AND A340 SPEC BRKTS TO STD DRIVERS SIDE SUBFRAMES (HARNESSES AND STD SEATBELTS)

A.

Remove the outer and inner rear brackets and cross brace, retaining the bolts and washers.



B.

With the original single sheer brackets removed, place the 10mm thick Nylon spacer under the new double sheer A340 spec brackets and loosely bolt (you will tighten it later) in place using the M8*25 button head bolts provided.



C.

Loosely bolt the A340 spec cross brace in the position shown noting which holes are used (RHD sub-frame shown, mirror fitment for LHD).

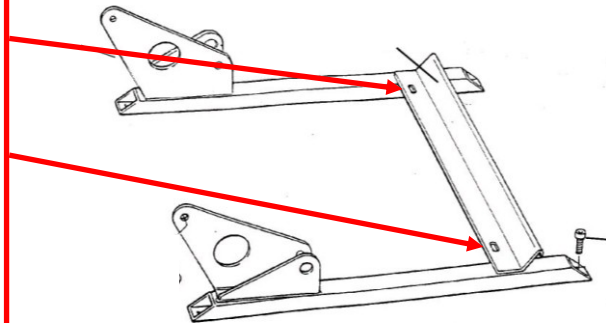


D.

Place the Sub-frame in the car and locate on the chassis using the diagrams on page 8 to find the correct holes for your driving configuration. Tighten the cross-member bolts to fix the subframe position and then, when the subframe is rigid, remove the four holding bolts and take it out of the car.

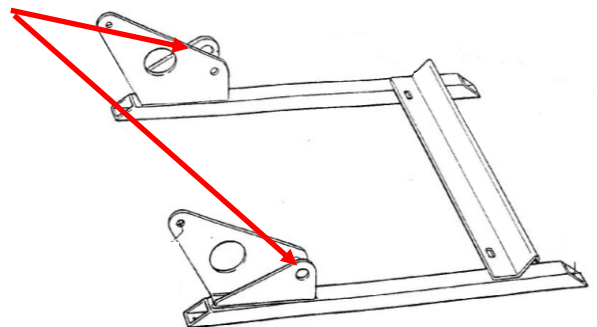
E.

Place the subframe over the seat and position the two 10mm thick, 9mm bore, nylon spacers between the cross member and seat fixings. If you are installing a harness then the crutch strap goes on here too. (If you're using another harness either 5 or 6 point then the straps should be taken through the seat and to a secure fixing on the chassis. Thread in and finger tighten the two M8*20mm bolts and small dia M8 washers, leave loose for the moment to allow the seat a little float.



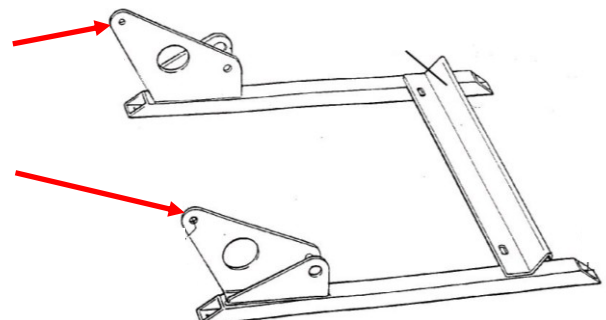
F.

Install into the brackets the short 7/16" bolts, springs and metal spacers. Leave loose for the moment to allow the seat a little float. Remember to install the seat belt mounts at this point also.



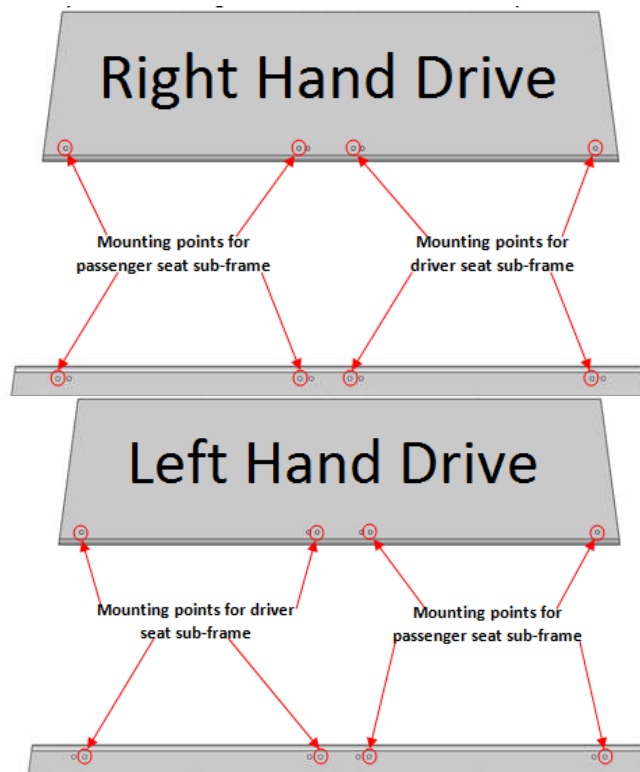
G.

Insert the two M8*10mm bolts and penny washers provided and tighten. Then tighten all other bolts, including the two M8*20mms under the front and the 7/16" bolts on the side.



H.

The seat and sub-frame can now be reinstalled into the car, the subframe should be bolted in loosely to the chassis (using the mounting points specified below) and the seat ran back and forth on the sub-frame runners several times until it runs smooth, the sub frame to chassis bolts can then be tightened. Installation is now complete.



MULSANNE B FITTED TO RACING ELISE S1