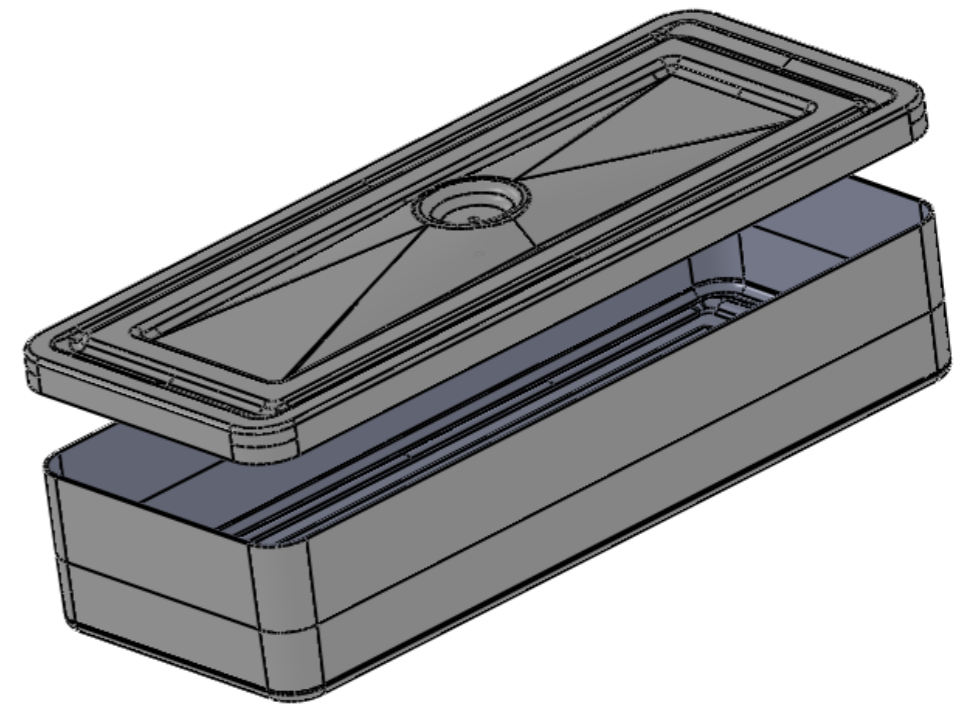
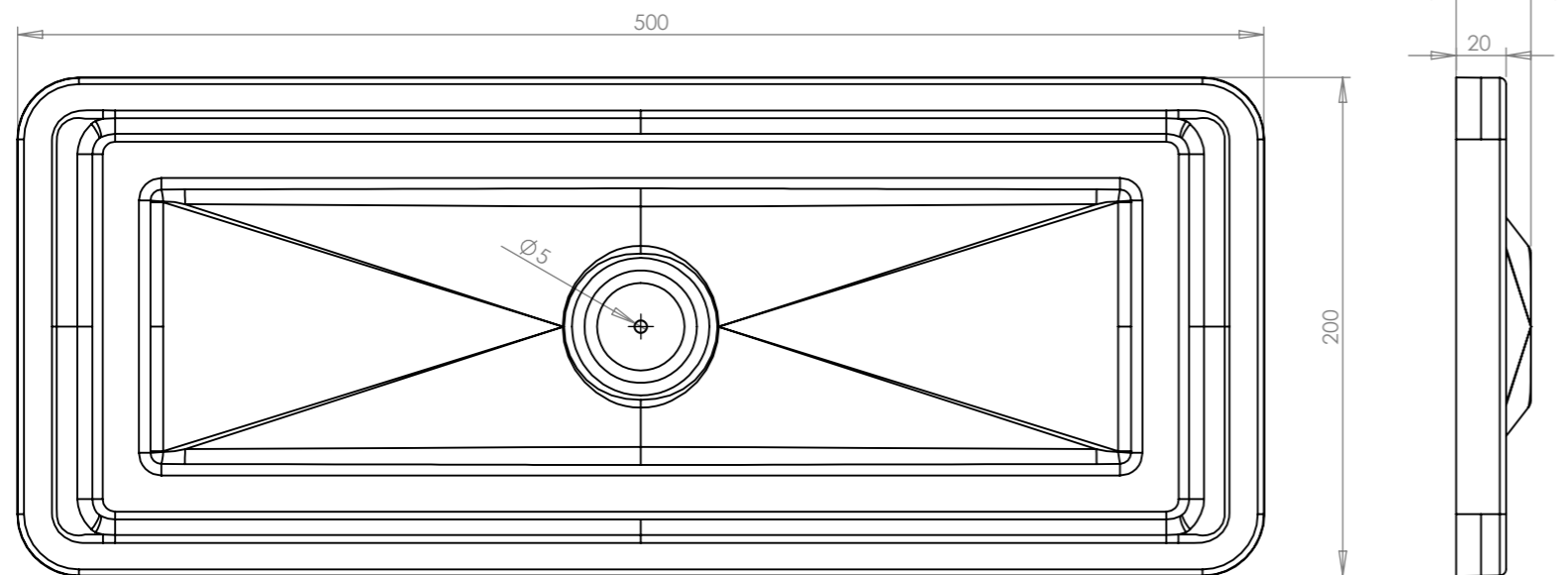


SECTION B-B  
SCALE 1 : 3



ISSUE	DESCRIPTION	INITIALS	E.C.N. No	DATE	ALL DIMENSIONS IN MILLIMETERS		DRAWN	APP	TITLE
1	ORIGINAL ISSUE	CA		24/06/11	TOLERANCES (AT 20C) UNLESS OTHERWISE STATED	REMOVE ALL BURRS AND SHARP EDGES UNLESS OTHERWISE STATED	CA		SEBRING AIRBOX
					NOMINAL LINEAR DIMENSIONS	HOLES TO BS4500 1985. THREADS TO BS3643 1981 METRIC COURSE. BSP THREADS TO BS 2779 MED FIT	DATE 24/06/2011		MATERIAL CARBON FIBRE
					OVER-INCL	<-0.00	0.00	FINISH MILLING N8 TURNING N7 GRINDING N6	Matl.Stk Code
					0-200	+/- 0.50	+/- 0.15	ANG DIMS +/- 0.5°	DRG. No. R01SE0308
					250-1000	+/- 1.00	+/- 0.20	THIS A DRAWING IS A PRIVATE AND CONFIDENTIAL COMMUNICATION	
					1000 PLUS	+/- 2.00	+/- 0.30	Reverie Limited Unit 2 Chandlers Row Colchester Essex CO1 2HG 01206 866663 www.reverie.ltd.uk	
								SCALE DO NOT PRINT TO SCALE	
								Weight	