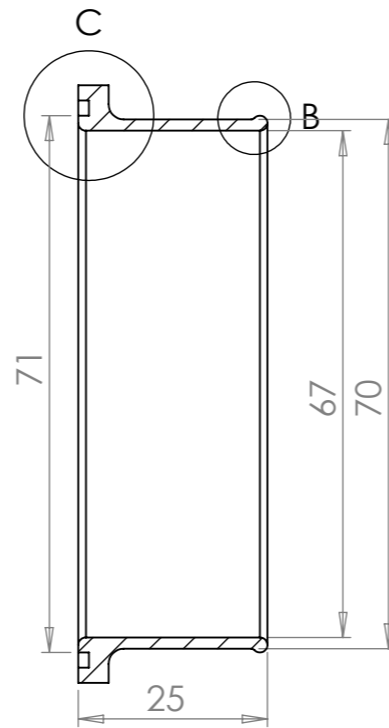
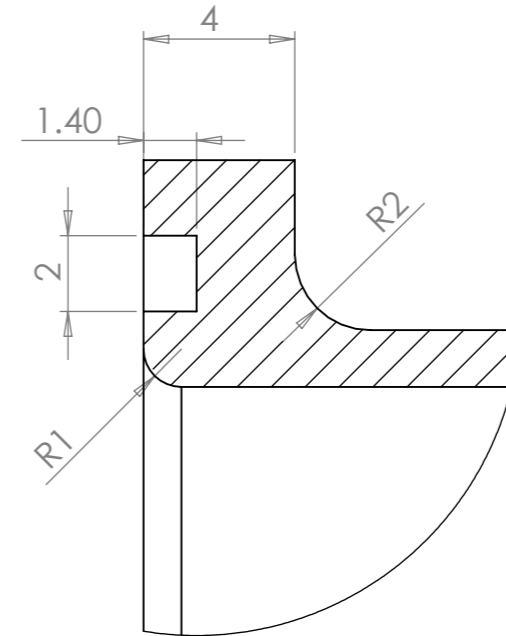
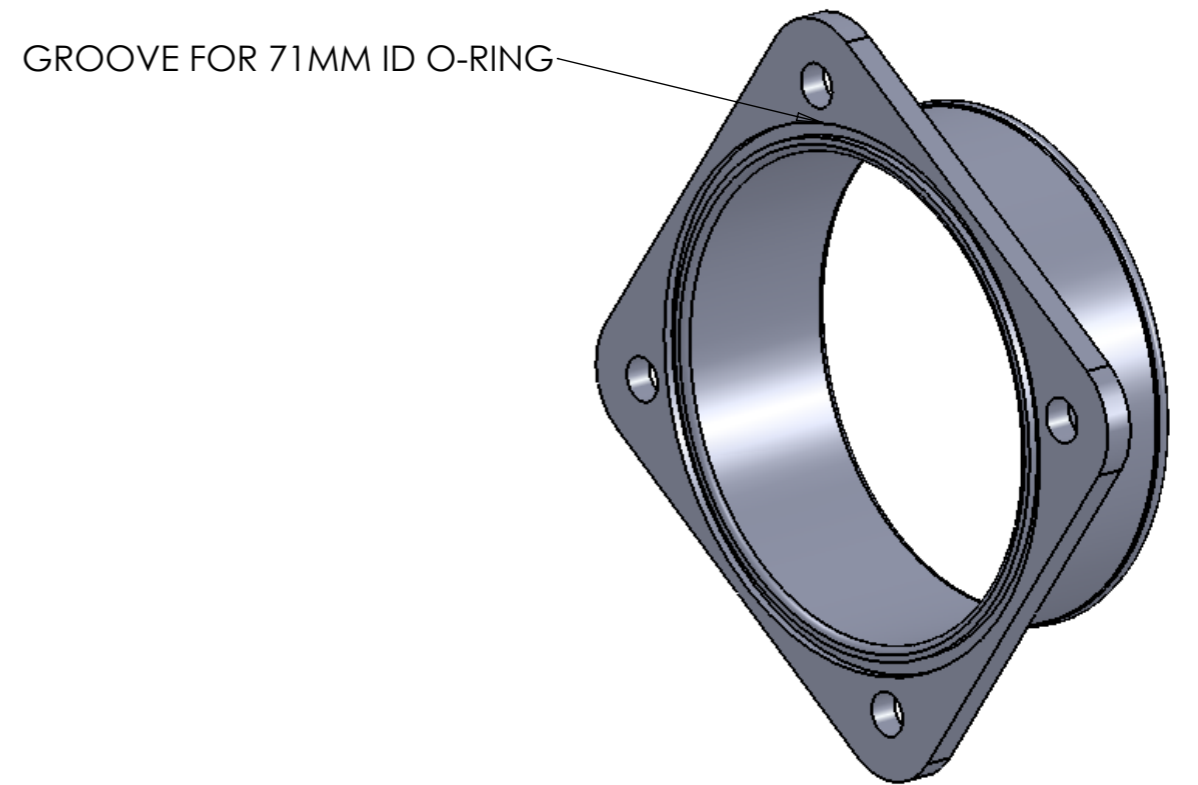


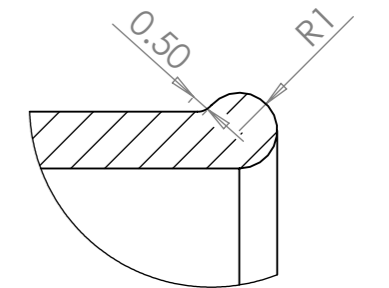
4 off 6.2mm Through Holes
On 85mm PCD




SECTION A-A



DETAIL C
SCALE 5 : 1



DETAIL B
SCALE 5 : 1

ISSUE	DESCRIPTION	INITIALS	E.C.N. No	DATE	ALL DIMENSIONS IN MILLIMETERS			REMOVE ALL BURRS AND SHARP EDGES UNLESS OTHERWISE STATED		Reverie Limited Unit 2 Chandlers Row Colchester Essex CO1 2HG 01206 866663 www.reverie.ltd.uk	DRAWN	APP	TITLE		
1	ORIGINAL ISSUE	CA		01/06/11	TOLERANCES (AT 20C) UNLESS OTHERWISE STATED						HOLES TO BS4500 1985. THREADS TO BS3643 1981 METRIC COURSE. BSP THREADS TO BS 2779 MED FIT			CA	
					NOMINAL LINEAR DIMENSIONS			SURFACE FINISHES MILLING N8 TURNING N7 GRINDING N6 ANG DIMS +/- 0.5°					MATERIAL	ALUMINIUM	
					OVER-INCL	<-0.00	0.00							Matl.Stk Code	
					0-200	+/- 0.50	+/- 0.15								
					250-1000	+/- 1.00	+/- 0.20								
					1000 PLUS	+/- 2.00	+/- 0.30							DRG. No. R01SE6192_V1	