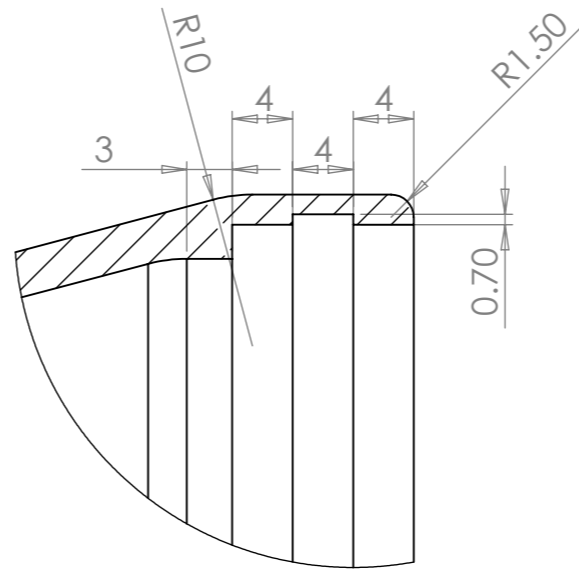
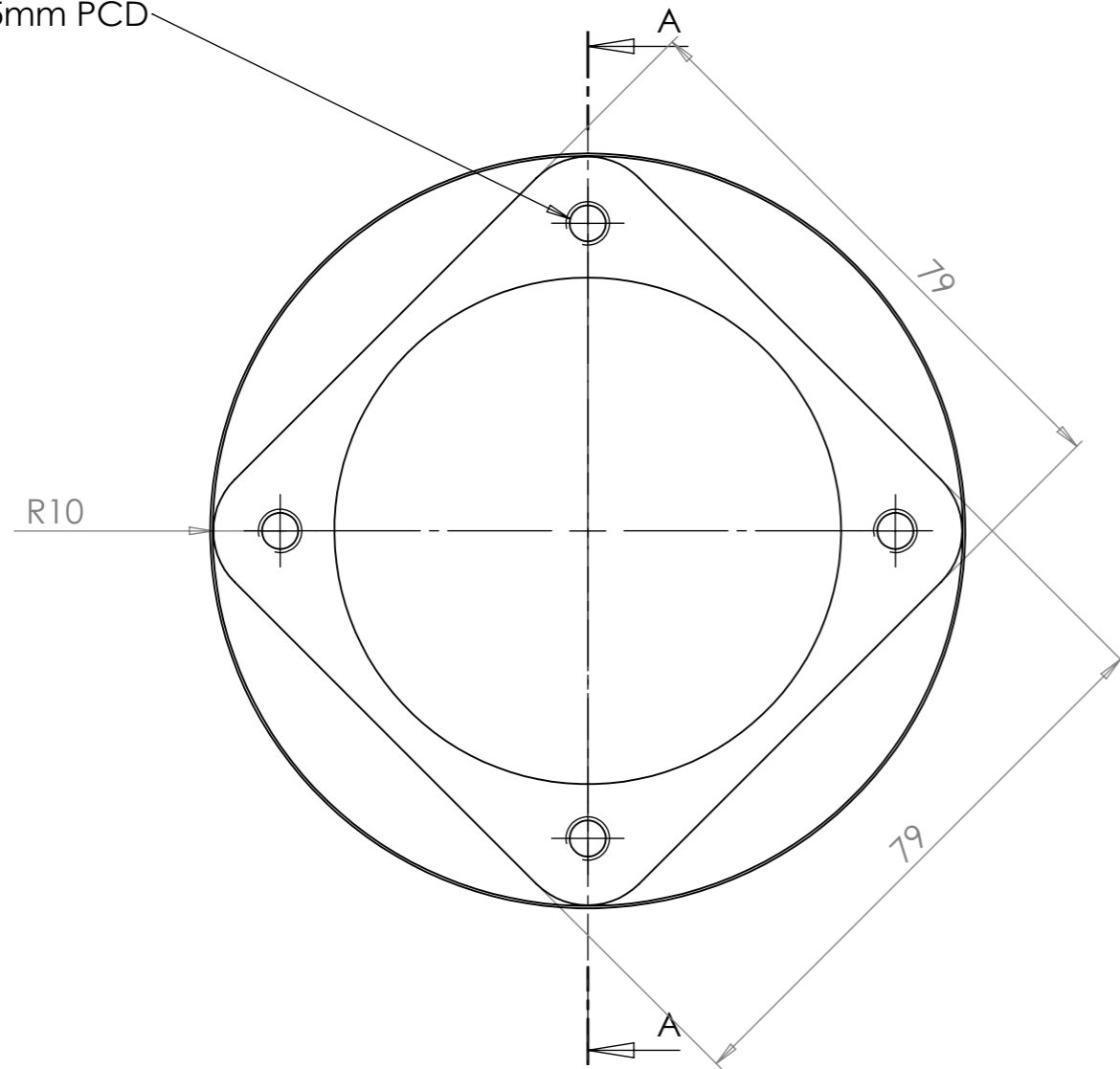
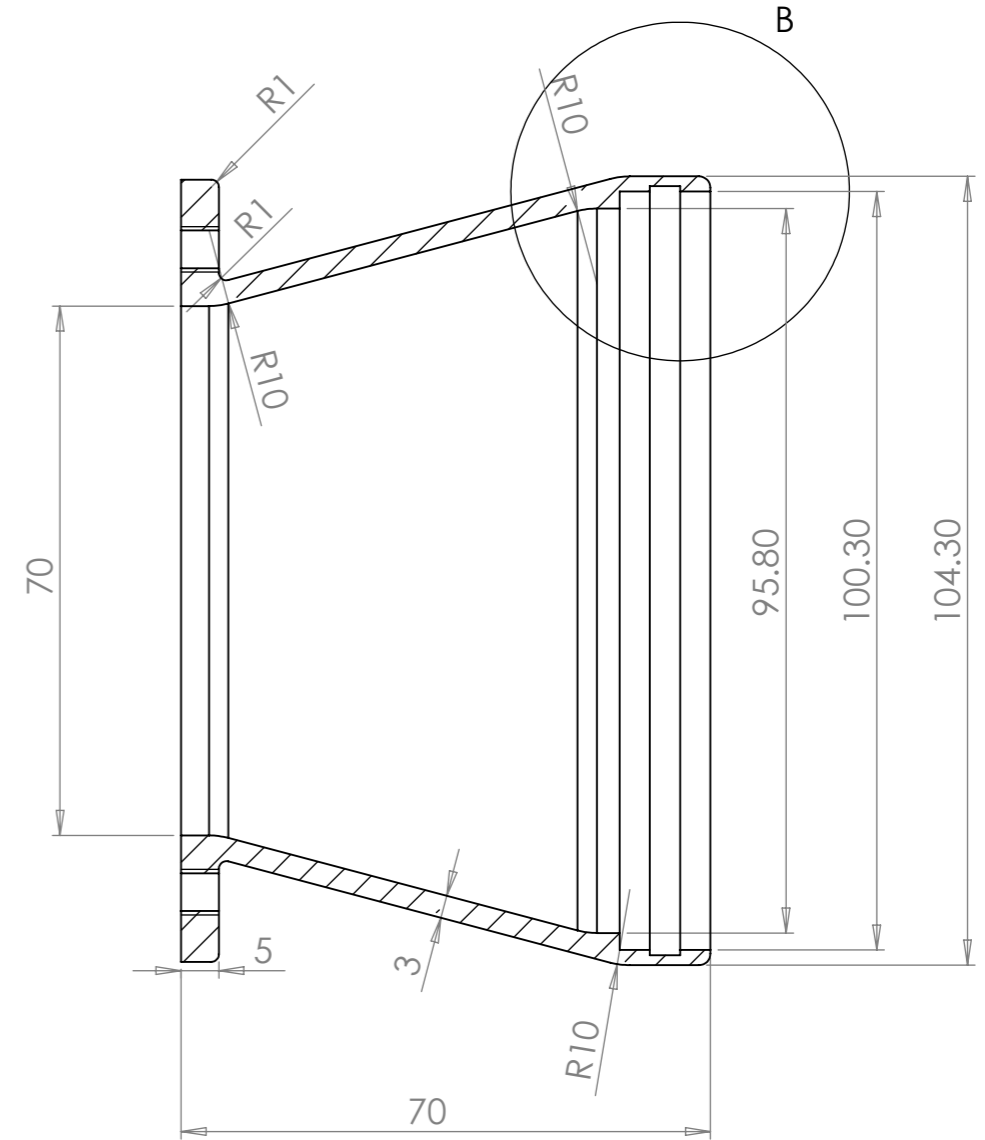



4 Off M6 Threaded Holes On
85mm PCD



DETAIL B
SCALE 2 : 1



SECTION A-A

ISSUE	DESCRIPTION	INITIALS	E.C.N. No	DATE	ALL DIMENSIONS IN MILLIMETERS				REMOVE ALL BURRS AND SHARP EDGES UNLESS OTHERWISE STATED		Reverie Limited Unit 2 Chandlers Row Port Lane Colchester Essex CO1 2HG 01206 866663 www.reverie.ltd.uk	DRAWN	APP	TITLE
1	ORIGINAL ISSUE	CA		01/12/10	TOLERANCES (AT 20C) UNLESS OTHERWISE STATED							SURFACE FINISHES MILLING N8 TURNING N7 GRINDING N6 ANG DIMS +/- 0.5°	THIS A DRAWING IS A PRIVATE AND CONFIDENTIAL COMMUNICATION	DATE 02/12/10 FINISH SCALE 1:1 Weight
					NOMINAL LINAR DIMENSIONS									
					OVER-INCL	<0.00	0.00							
					0-200	+/- 0.50	+/- 0.15							
					250-1000	+/- 1.00	+/- 0.20							
					1000 PLUS	+/- 2.00	+/- 0.30							