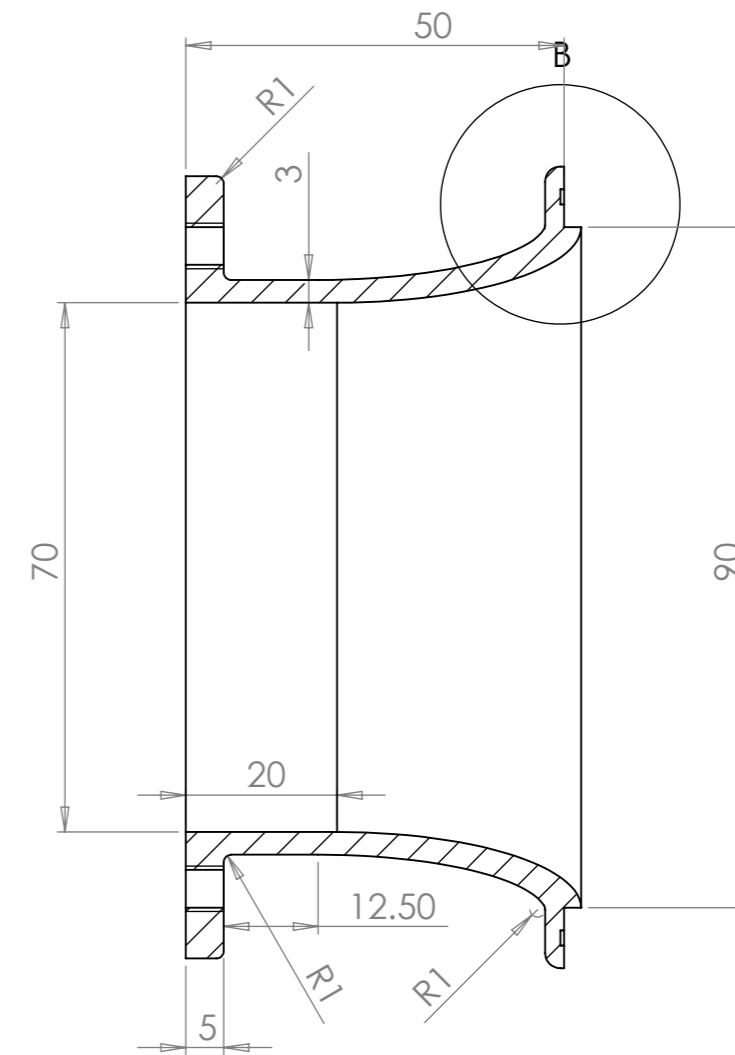
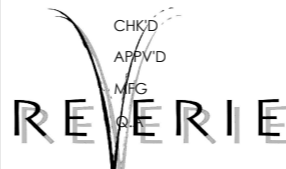


DETAIL B  
SCALE 2:1



SECTION A-A

ISSUE	DESCRIPTION	INITIALS	E.C.N. No	DATE	ALL DIMENSIONS IN MILLIMETERS			REMOVE ALL BURRS AND SHARP EDGES UNLESS OTHERWISE STATED	 CHKD APPV'D MFG Q.E.	DRAWN	APP	TITLE
1	ORIGINAL ISSUE	CA		01/12/10	TOLERANCES (AT 20C) UNLESS OTHERWISE STATED					THIS A DRAWING IS A PRIVATE AND CONFIDENTIAL COMMUNICATION	CA	
					NOMINAL LINAR DIMENSIONS			SURFACE FINISHES MILLING N8 TURNING N7 GRINDING N6  ANG DIMS +/- 0.5°	DATE		02/12/10	MATERIAL
					OVER-INCL	<0.00	0.00		FINISH			Matl.Stk Code
					0-200	+/- 0.50	+/- 0.15		SCALE		1:1	DRG. No. R01SE6175
					250-1000	+/- 1.00	+/- 0.20		Weight			
					1000 PLUS	+/- 2.00	+/- 0.30					

Reverie Limited  
 Unit 2 Chandlers Row  
 Colchester  
 Essex  
 CO1 2HG  
 01206 866663  
 www.reverie.ltd.uk