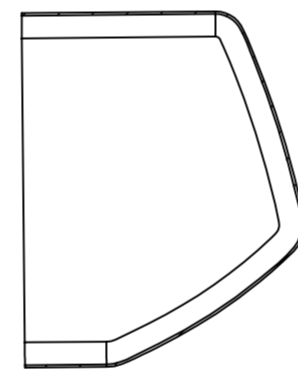
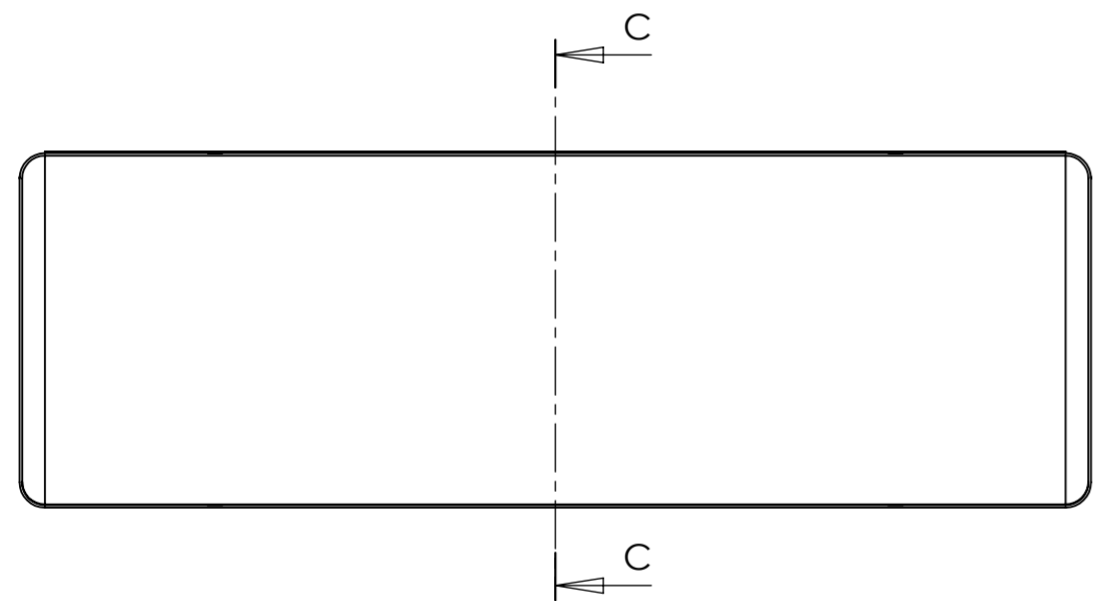
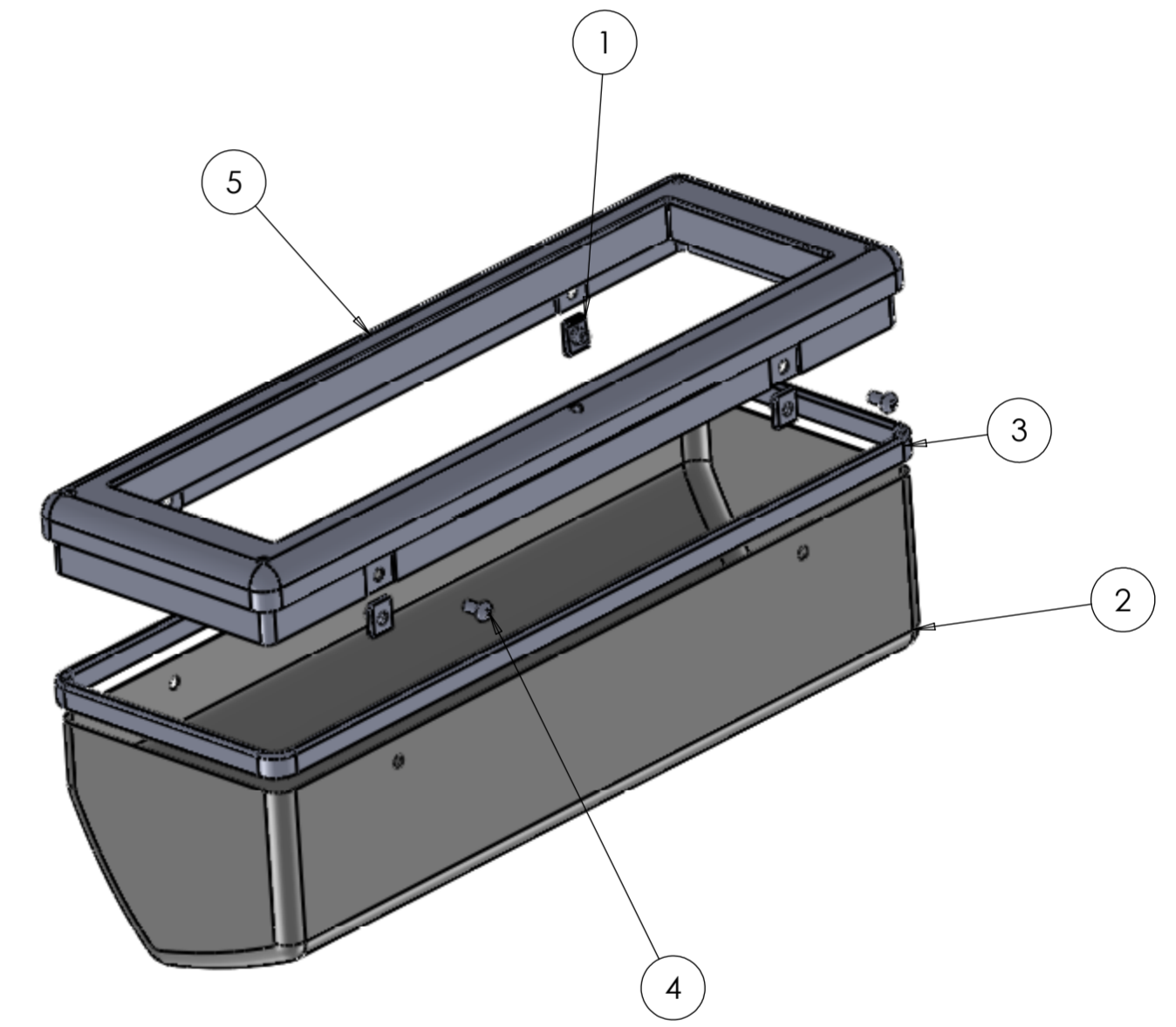
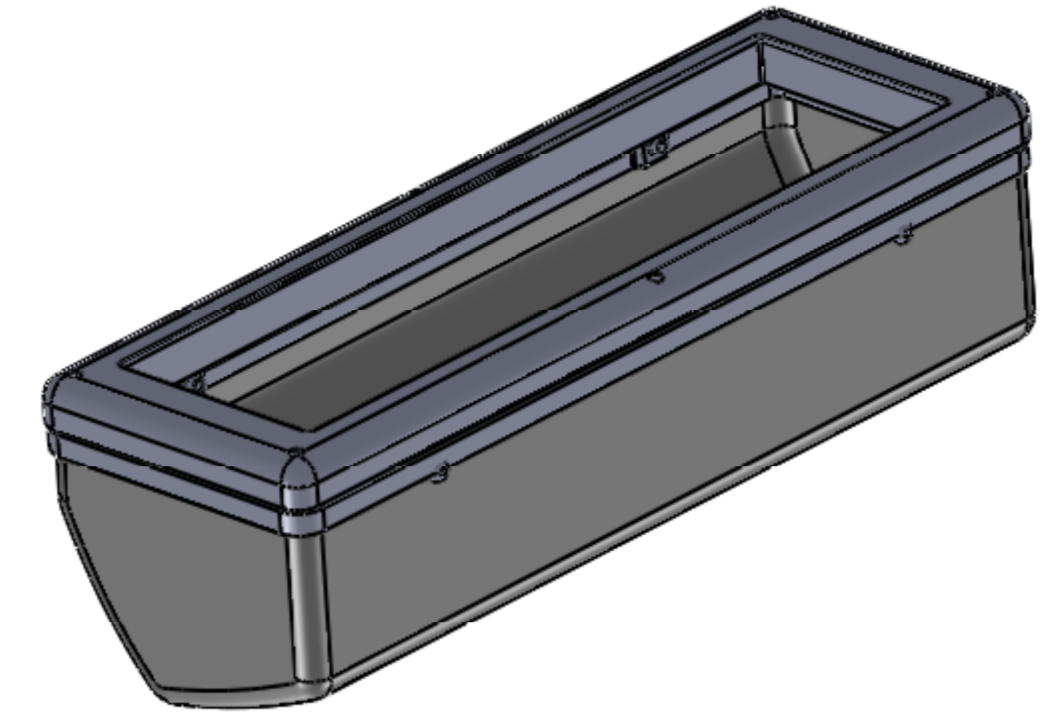


SECTION B-B
SCALE 1 : 3



SECTION C-C
SCALE 1 : 3

| BOM Table | | |
|-----------|--|------|
| ITEM NO. | PART NUMBER | QTY. |
| 1 | u-clip | 4 |
| 2 | R01SE0037 - INTERLAGOS 425 AIR BOX- MAIN BOX | 1 |
| 3 | rubber seal | 1 |
| 4 | M5 x10mm button | 4 |
| 5 | R01SE0436 - INTERLAGOS 425 AIR BOX FILTER TRAY | 1 |

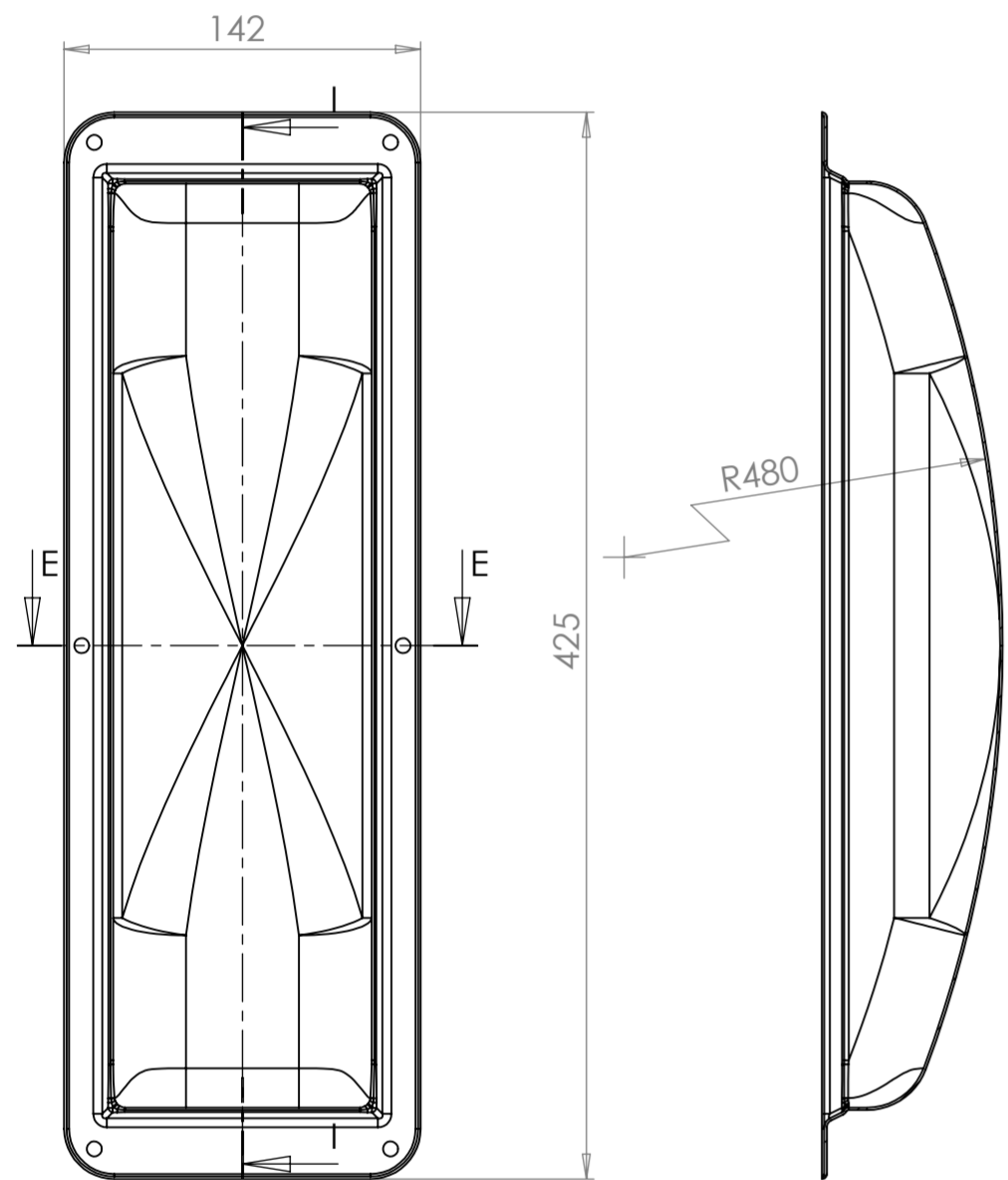
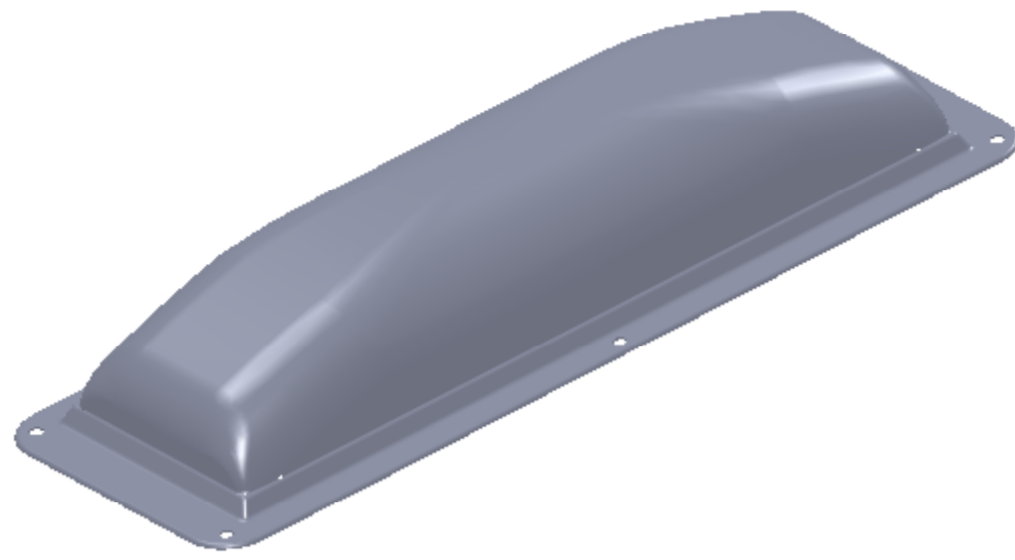
| ISSUE | DESCRIPTION | INITIALS | E.C.N. No | DATE | ALL DIMENSIONS IN MILLIMETERS | | | REMOVE ALL BURRS AND SHARP EDGES UNLESS OTHERWISE STATED |
|-------|----------------|----------|-----------|------------|---|----------|----------|---|
| 1 | ORIGINAL ISSUE | CA | | 14/07/2011 | TOLERANCES (AT 20C) UNLESS OTHERWISE STATED | | | |
| | | | | | NOMINAL LINEAR DIMENSIONS | | | |
| | | | | | OVER-INCL | <-0.00 | 0.00 | SURFACE FINISHES MILLING N8 TURNING N7 GRINDING N6 |
| | | | | | 0-200 | +/- 0.50 | +/- 0.15 | |
| | | | | | 250-1000 | +/- 1.00 | +/- 0.20 | |
| | | | | | 1000 PLUS | +/- 2.00 | +/- 0.30 | |
| | | | | | ANG DIMS +/- 0.5 | | | THIS A DRAWING IS A PRIVATE AND CONFIDENTIAL COMMUNICATION |

Reverie Limited
Unit 2 Chandlers Row
Colchester
Essex
CO1 2HG
01206 866663
www.reverie.ltd.uk

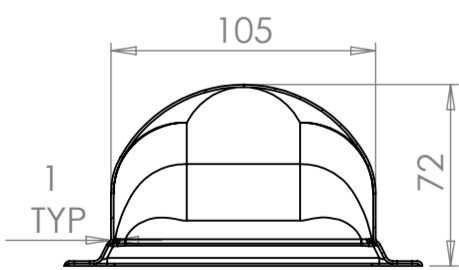
DRAWN CA
DATE 14/07/2011
FINISH
SCALE Do Not Scale Drawing
Weight

TITLE
R01SE0473 - INTERLAGOS 425 AIR BOX BLANK
MATERIAL Carbon Fibre
Matl.Sik Code
DRG. No.

Interlagos Blank Cowling
R01SE0469

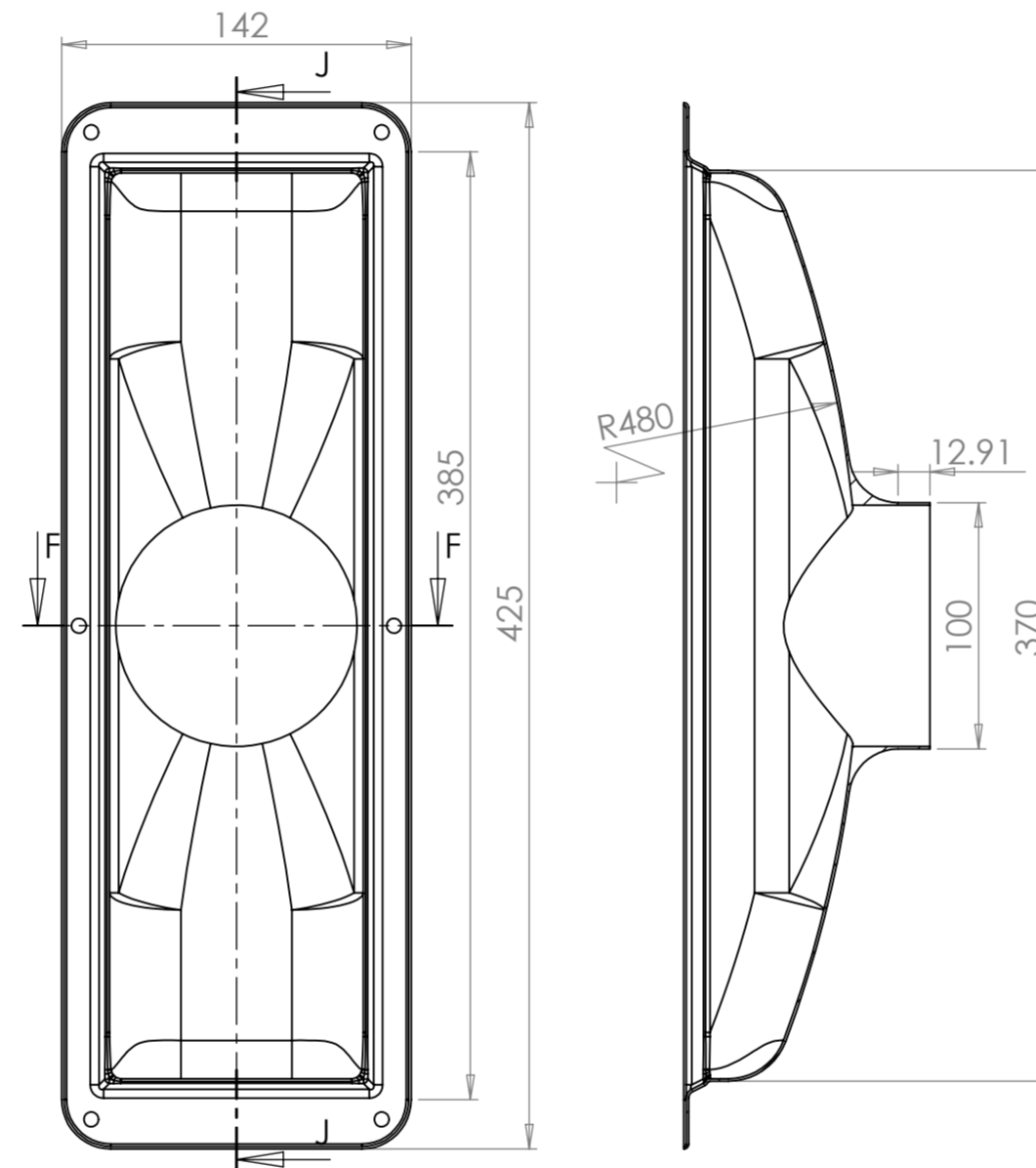
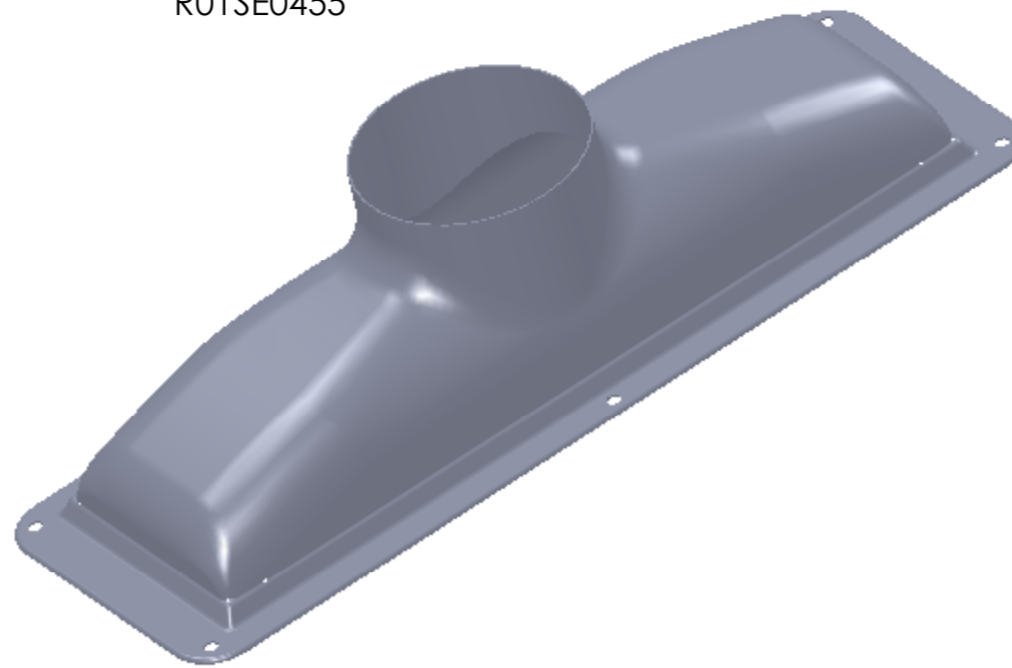


SECTION H-H
SCALE 1 : 3

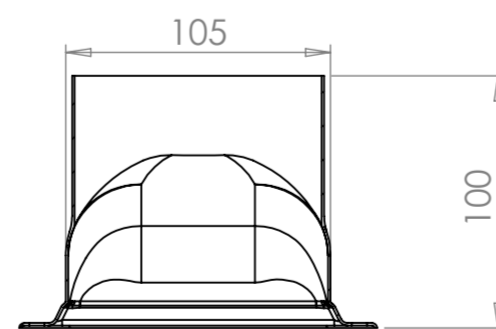


SECTION E-E
SCALE 1 : 3

Interlagos 100mm Central Feel Cowling
R01SE0455

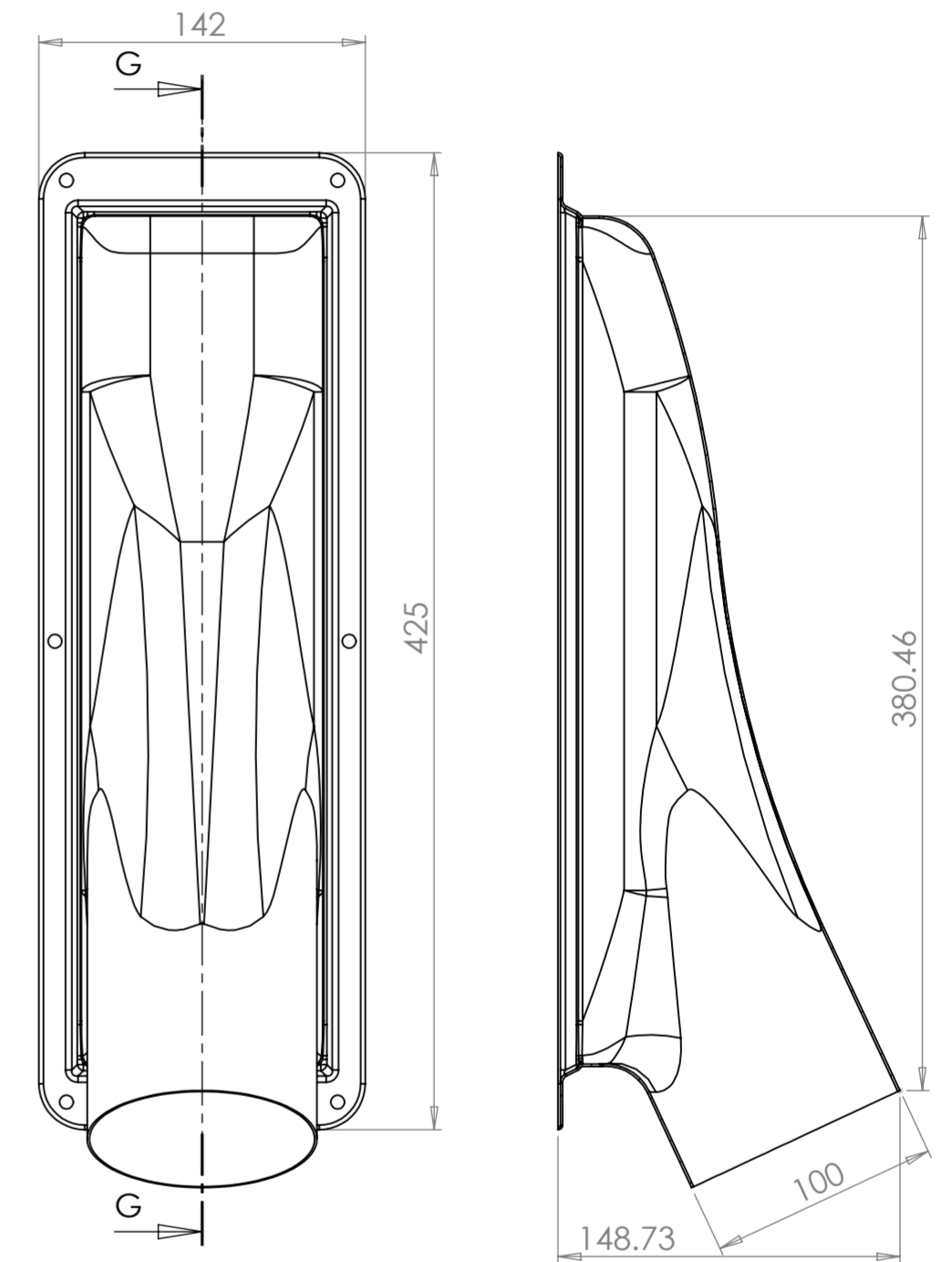
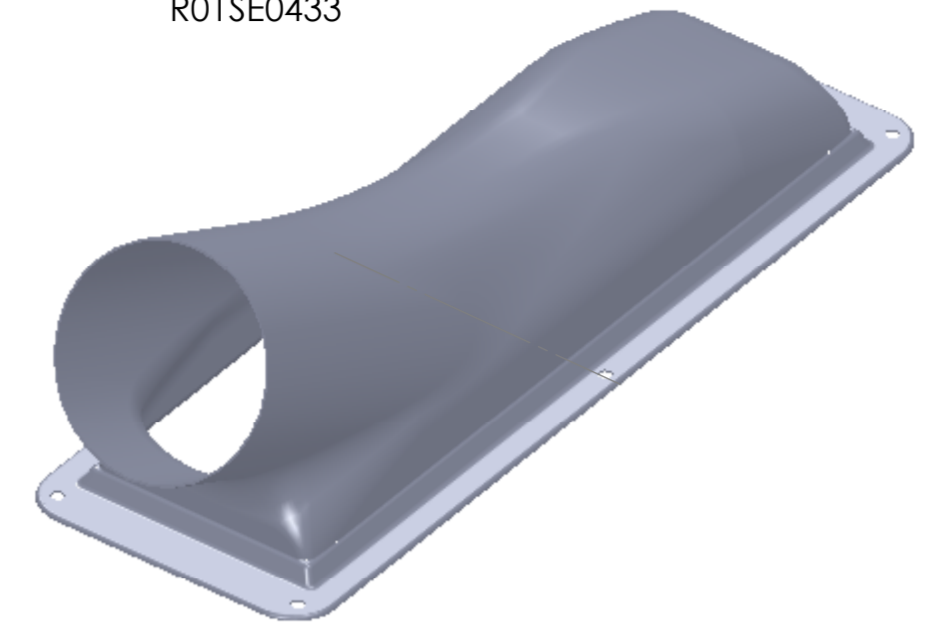


SECTION J-J
SCALE 1 : 3



SECTION F-F
SCALE 1 : 3

Interlagos 100mm End Entry Cowling
R01SE0433



SECTION G-G
SCALE 1 : 3

| ISSUE | DESCRIPTION | INITIALS | E.C.N. No | DATE | ALL DIMENSIONS IN MILLIMETERS |
|-------|----------------|----------|-----------|------------|---|
| 1 | ORIGINAL ISSUE | CA | | 14/07/2011 | TOLERANCES (AT 20C) UNLESS OTHERWISE STATED |
| | | | | | NOMINAL LINEAR DIMENSIONS |
| | | | | | OVER-INCL -0.00 0.00 |
| | | | | | 0-200 +/- 0.50 +/- 0.15 |
| | | | | | 250-1000 +/- 1.00 +/- 0.20 |
| | | | | | 1000 PLUS +/- 2.00 +/- 0.30 |
| | | | | | SURFACE FINISHES |
| | | | | | MILLING N8 |
| | | | | | TURNING N7 |
| | | | | | GRINDING N6 |
| | | | | | ANG DIMS +/- 0.5 |

REMOVE ALL BURRS AND SHARP EDGES UNLESS OTHERWISE STATED

Holes to BS4500 1985.

Threads to BS3643 1981 METRIC COURSE.

BSP Threads to BS 2779 MED FIT

THIS A DRAWING IS A PRIVATE AND CONFIDENTIAL COMMUNICATION

Reverie Limited
Unit 2 Chandlers Row
Colchester
Essex
CO1 2HG
01206 866663
www.reverie.ltd.uk

DRAWN CA
DATE 14/07/2011
FINISH POLISHED
SCALE Do Not Scale Drawing
Weight

TITLE
INTERLAGOS PANEL FILTER COWLS

MATERIAL Carbon Fibre

Matl.Sik Code

DRG. No.